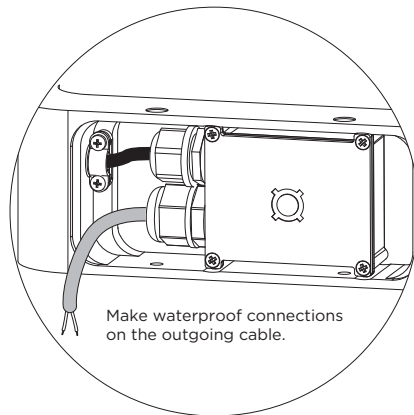


TAPE floor surface

INSTALLATION INSTRUCTIONS | NOVEMBER 2022

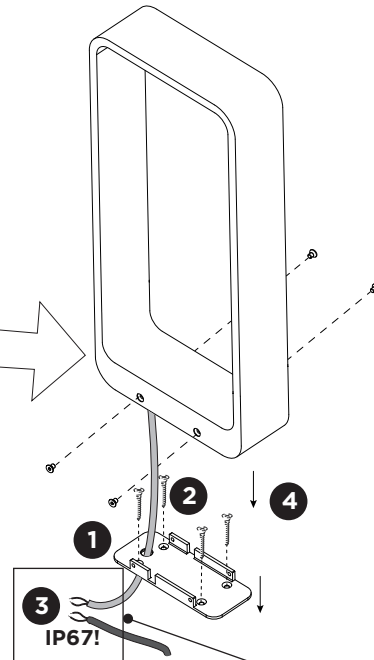


No need to open the driver box during installation.
Product is already pre-cabled.

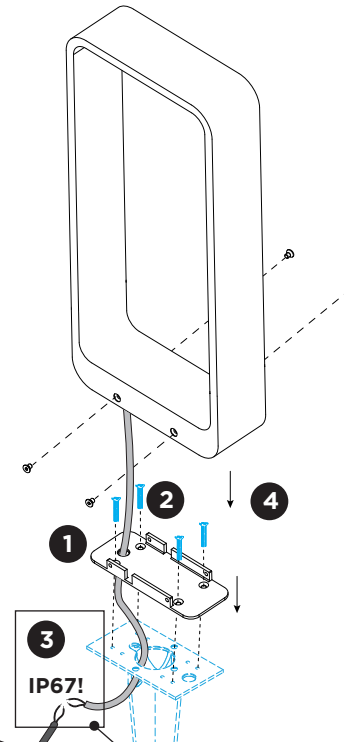


Keep the base clean and do not keep it covered with moss, leaves, bark, ...
Permanent moisture and possible chemical processes from eg. fertilization might lead in some occasions to a corrosive reaction.

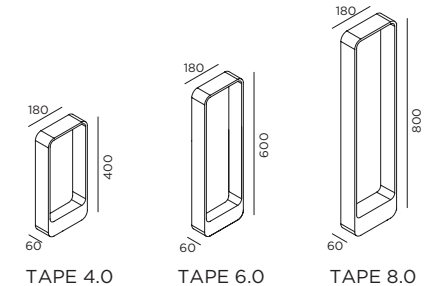
Mount on the floor



Mount with the ground spike



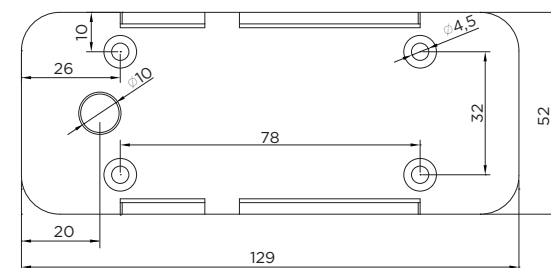
DIMENSIONS



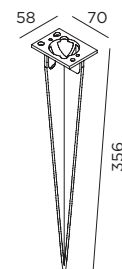
MOUNTING INSTRUCTION

- 1 Remove the mounting base from the luminaire by loosening the side screws.
- 2 Mount the base on the floor (screws are not included).
Mount the base on the spike (screws are included).
- 3 **POWER CONNECTION**
Connect to 220-240V. Connect the wires with the waterproof connectors.
- 4 Fix the housing on the mounting base with the side screws.

mounting base:



ground spike (optional):



Included:

waterproof connectors:



Optional:

IP68 connection box:

order ref. 73240706 = 2 WAYS 2x1,5 Ø6-8mm

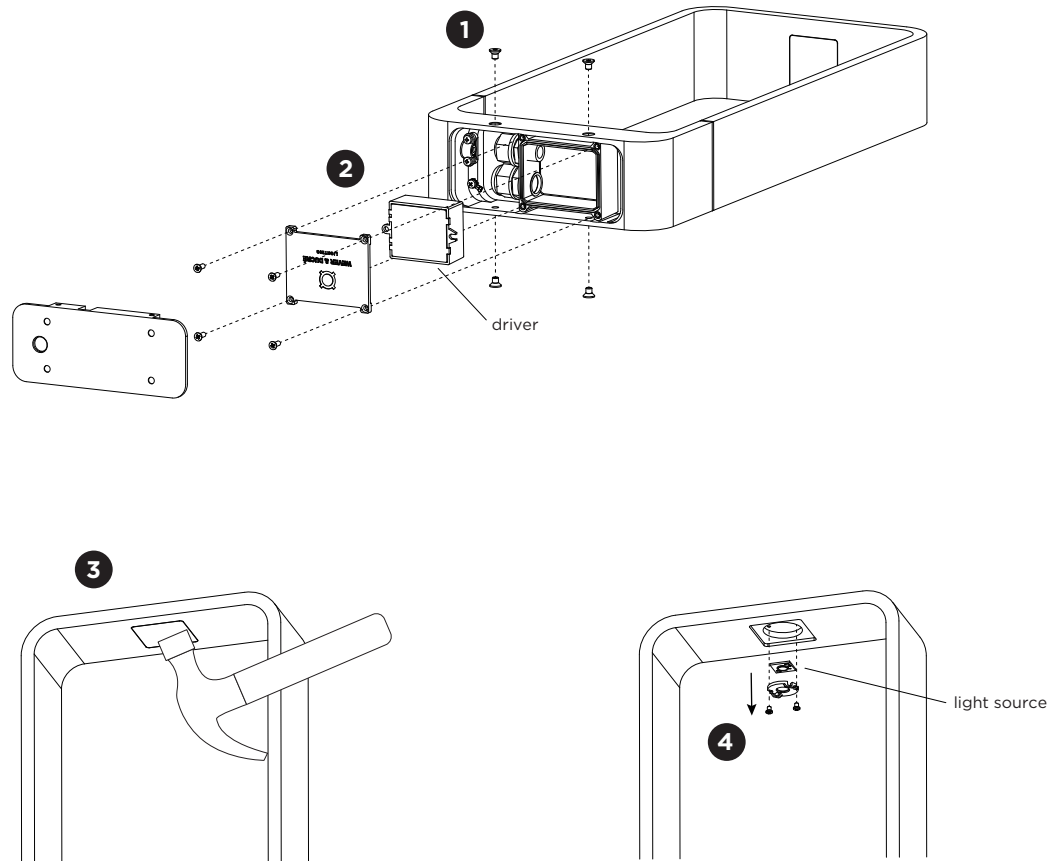


WEVER & DUCRÉ
LIGHTING

WEVER & DUCRÉ BV
Spinnerijstraat 99/21, 8500 Kortrijk, Belgium
weverducre.com

TAPE floor surface

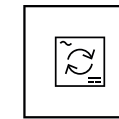
INSTALLATION INSTRUCTIONS | NOVEMBER 2022



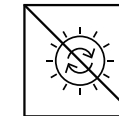
DISMOUNTING AND RECYCLING INSTRUCTIONS

Light source & driver

- 1 Loosen the side screws and remove the mounting plate.
- 2 Loosen the screws, remove the cover from the waterproof box and cut the cables from the driver. The driver can now be removed.
- 3 Break the glass.
- 4 Unscrew the holder to remove the light source.



The driver can be replaced by the end user.



The light source is not replaceable.



This luminaire contains a light source with the energy class F.