



WEVER & DUCRÉ
LIGHTING

HEXO on track 2.0 PAR16

215520Q0

Project

Type

Notities

Kwantiteit

Datum

ALGEMEEN

Plafond, Trackpendel

Brons

IP20

Interieur

Output: 450^a, 465^b lm

CIE flux code: 94 98 100 100 97

LED

Lamp PAR16

Stopcontact GU10

max. per socket 12.0 W

CRI ≥ 90

ELEKTRISCH

100 - 240 V

LED inset 6.5 W

Klasse 1

FYSISCH

Diameter 77 mm

Hoogte 200 mm

0.58 kg

75 (adapter) mm

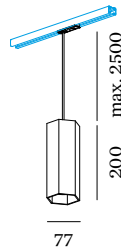
incl. adapter 1-fase track

^a PAR16 LAMP 2700K CRI90

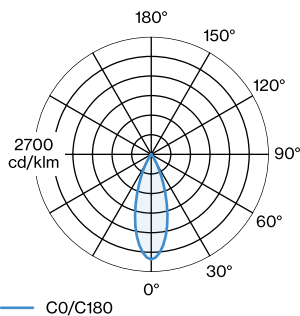
^b PAR16 LAMP 3000K CRI90



Zeskhoeelige pendelarmatuur van gegoten aluminium incl. adapter 1-fase track; oppervlak Brons; gepoed-ercoat; geborsteld; polycarbonaat trackadapter en kabel in Signaalzwart; lampfitting GU10; lamptype PAR16; max. 12W; 100 - 240 V; beschermingsgraad IP20; PC1; lamp niet inbegrepen; inclusief regelbare buisophanging max. 2500mm;



LICHTVERDELING





WEVER & DUCRÉ
LIGHTING

HEXO on track 2.0 PAR16

215520Q0

PENDEL

Track Adapter 1.0

| TYPE | KLEUR | L · H (MM) | ORDERCODE |
|--------------|-------|------------|-----------------|
| 1-fase track | Zwart | 85-45 | 9 0 0 1 4 0 4 3 |
| 1-fase track | Wit | 85-45 | 9 0 0 1 4 0 4 4 |

Ophangset 1.5m

| TYPE | KLEUR | Ø · H (MM) | ORDERCODE |
|-----------------------|-------|------------|-----------------|
| 1-fase track pendel | Wit | ∅29-1500 | 9 0 0 1 4 1 0 1 |
| 1-fase track pendel | Zwart | ∅29-1500 | 9 0 0 1 4 1 0 2 |

Ophangset 3.0m

| TYPE | KLEUR | Ø · H (MM) | ORDERCODE |
|-----------------------|-------|------------|-----------------|
| 1-fase track pendel | Wit | ∅29-3000 | 9 0 0 1 4 1 0 3 |
| 1-fase track pendel | Zwart | ∅29-3000 | 9 0 0 1 4 1 0 4 |

Track Adapter 2.0

| TYPE | KLEUR | L · W · H (MM) | ORDERCODE |
|--------------|-------|----------------|-----------------|
| 1-fase track | Wit | 80-24-26 | 9 0 0 1 4 2 7 7 |
| 1-fase track | Zwart | 80-24-26 | 9 0 0 1 4 2 7 8 |

CORNER

Regelbare hoek

| TYPE | KLEUR | L · W · H (MM) | ORDERCODE |
|--------------|-------|----------------|-----------------|
| 1-fase track | Zwart | 81-81-20 | 9 0 0 1 4 0 4 1 |
| 1-fase track | Wit | 81-81-20 | 9 0 0 1 4 0 4 2 |

INGEBOUWD

Montagebeugel

| TYPE | L · W · H (MM) | ORDERCODE |
|--------------------------|----------------|-----------------|
| 1-fase track ingebouwd | 35-59-35 | 9 0 0 1 4 1 0 0 |

Trackprofiel 1m

| TYPE | KLEUR | L · W · H (MM) | ORDERCODE |
|--------------------------|-------|----------------|-----------------|
| 1-fase track ingebouwd | Wit | 1000-50-20 | 9 0 0 1 4 1 1 8 |
| 1-fase track ingebouwd | Zwart | 1000-50-20 | 9 0 0 1 4 1 1 9 |

Trackprofiel 2m

| TYPE | KLEUR | L · W · H (MM) | ORDERCODE |
|--------------------------|-------|----------------|-----------------|
| 1-fase track ingebouwd | Wit | 2000-50-20 | 9 0 0 1 4 1 2 0 |
| 1-fase track ingebouwd | Zwart | 2000-50-20 | 9 0 0 1 4 1 2 1 |



WEVER & DUCRÉ
LIGHTING

HEXO on track 2.0 PAR16

215520Q0

Trackprofiel 3m

| TYPE | KLEUR | L · W · H (MM) | ORDERCODE |
|--------------------------|-------|----------------|-----------------|
| 1-fase track ingebouwd | Wit | 3000-50-20 | 9 0 0 1 4 1 2 2 |
| 1-fase track ingebouwd | Zwart | 3000-50-20 | 9 0 0 1 4 1 2 3 |

Coverplaat eindvoeding

| TYPE | KLEUR | L · W (MM) | ORDERCODE |
|--------------------------|-------|------------|-----------------|
| 1-fase track ingebouwd | Wit | 75-50 | 9 0 0 1 4 1 2 4 |
| 1-fase track ingebouwd | Zwart | 75-50 | 9 0 0 1 4 1 2 5 |

Coverplaat I/L/T/X

| TYPE | KLEUR | L · W (MM) | ORDERCODE |
|--------------------------|-------|------------|-----------------|
| 1-fase track ingebouwd | Wit | 100-100 | 9 0 0 1 4 1 2 6 |
| 1-fase track ingebouwd | Zwart | 100-100 | 9 0 0 1 4 1 2 7 |

OPBOUW

Trackprofiel 1m

| TYPE | KLEUR | L · W · H (MM) | ORDERCODE |
|------------------------------|-------|----------------|-----------------|
| 1-fase track opbouw/pendel | Wit | 1000-30-20 | 9 0 0 1 4 0 0 1 |
| 1-fase track opbouw/pendel | Zwart | 1000-30-20 | 9 0 0 1 4 0 0 7 |

Trackprofiel 2m

| TYPE | KLEUR | L · W · H (MM) | ORDERCODE |
|------------------------------|-------|----------------|-----------------|
| 1-fase track opbouw/pendel | Wit | 2000-30-20 | 9 0 0 1 4 0 0 2 |
| 1-fase track opbouw/pendel | Zwart | 2000-30-20 | 9 0 0 1 4 0 0 8 |

Trackprofiel 3m

| TYPE | KLEUR | L · W · H (MM) | ORDERCODE |
|------------------------------|-------|----------------|-----------------|
| 1-fase track opbouw/pendel | Wit | 3000-30-20 | 9 0 0 1 4 0 0 3 |
| 1-fase track opbouw/pendel | Zwart | 3000-30-20 | 9 0 0 1 4 0 0 9 |

Eindkap

| TYPE | KLEUR | L · W · H (MM) | ORDERCODE |
|-----------------------------|-------|----------------|-----------------|
| 1-fase track links/rechts | Wit | 24-30-20 | 9 0 0 1 4 0 2 8 |
| 1-fase track links/rechts | Zwart | 24-30-20 | 9 0 0 1 4 0 2 9 |

ELEKTRISCH

T-Connector 1.0

| TYPE | KLEUR | L · W · H (MM) | ORDERCODE |
|--------------|-------|----------------|-----------------|
| 1-fase track | Wit | 145-55-20 | 9 0 0 1 4 0 1 0 |
| 1-fase track | Zwart | 145-55-20 | 9 0 0 1 4 0 1 1 |



WEVER & DUCRÉ
LIGHTING

HEXO on track 2.0 PAR16

215520Q0

T-Connector 2.0

| TYPE | KLEUR | L · W · H (MM) | ORDERCODE |
|--------------|-------|----------------|-----------------|
| 1-fase track | Wit | 145-55-20 | 9 0 0 1 4 0 1 2 |
| 1-fase track | Zwart | 145-55-20 | 9 0 0 1 4 0 1 3 |

T-Connector 3.0

| TYPE | KLEUR | L · W · H (MM) | ORDERCODE |
|--------------|-------|----------------|-----------------|
| 1-fase track | Wit | 145-55-20 | 9 0 0 1 4 0 1 4 |
| 1-fase track | Zwart | 145-55-20 | 9 0 0 1 4 0 1 5 |

T-Connector 4.0

| TYPE | KLEUR | L · W · H (MM) | ORDERCODE |
|--------------|-------|----------------|-----------------|
| 1-fase track | Wit | 145-55-20 | 9 0 0 1 4 0 1 6 |
| 1-fase track | Zwart | 145-55-20 | 9 0 0 1 4 0 1 7 |

Eindvoeding | links

| TYPE | KLEUR | L · W · H (MM) | ORDERCODE |
|--------------|-------|----------------|-----------------|
| 1-fase track | Wit | 88-30-20 | 9 0 0 1 4 0 1 8 |
| 1-fase track | Zwart | 88-30-20 | 9 0 0 1 4 0 1 9 |

Eindvoeding | rechts

| TYPE | KLEUR | L · W · H (MM) | ORDERCODE |
|--------------|-------|----------------|-----------------|
| 1-fase track | Wit | 88-30-20 | 9 0 0 1 4 0 2 0 |
| 1-fase track | Zwart | 88-30-20 | 9 0 0 1 4 0 2 1 |

Rechte connector

| TYPE | KLEUR | L · H (MM) | ORDERCODE |
|----------------------|-------|------------|-----------------|
| 1-fase track recht | Wit | 65-17 | 9 0 0 1 4 0 2 2 |
| 1-fase track recht | Zwart | 65-17 | 9 0 0 1 4 0 2 3 |

L-connector

| TYPE | KLEUR | L · W · H (MM) | ORDERCODE |
|-----------------------|-------|----------------|-----------------|
| 1-fase track links | Wit | 88-55-20 | 9 0 0 1 4 0 2 4 |
| 1-fase track links | Zwart | 88-55-20 | 9 0 0 1 4 0 2 5 |
| 1-fase track rechts | Wit | 88-55-20 | 9 0 0 1 4 0 2 6 |
| 1-fase track rechts | Zwart | 88-55-20 | 9 0 0 1 4 0 2 7 |

Voeding midden

| TYPE | KLEUR | L · W · H (MM) | ORDERCODE |
|----------------------|-------|----------------|-----------------|
| 1-fase track recht | Wit | 145-30-20 | 9 0 0 1 4 0 3 6 |
| 1-fase track recht | Zwart | 145-30-20 | 9 0 0 1 4 0 3 7 |

X-Connector

| TYPE | KLEUR | L · W · H (MM) | ORDERCODE |
|--------------|-------|----------------|-----------------|
| 1-fase track | Wit | 145-145-20 | 9 0 0 1 4 0 4 9 |
| 1-fase track | Zwart | 145-145-20 | 9 0 0 1 4 0 5 0 |



WEVER & DUCRÉ
LIGHTING

HEXO

on track 2.0 PAR16

215520Q0

ARMATUREN

PAR16 LED lamp

| TYPE | KLEUR | Ø · H (MM) | ORDERCODE |
|------------------------|--------|------------|-----------------|
| 2700K >90 CRI GU10 | Zwart | ∅50-60 | 9 0 1 2 2 8 B 3 |
| 3000K >90 CRI GU10 | Zwart | ∅50-60 | 9 0 1 2 2 8 B 5 |
| 2700K >90 CRI GU10 | Wit | ∅50-60 | 9 0 1 2 2 8 W 3 |
| 3000K >90 CRI GU10 | Wit | ∅50-60 | 9 0 1 2 2 8 W 5 |
| 2700K >80 CRI GU10 | Zilver | ∅50-60 | 9 0 5 2 2 7 S 2 |
| 3000K >80 CRI GU10 | Zilver | ∅50-60 | 9 0 5 2 2 7 S 4 |