

# Lampholders for Halogen Incandescent Lamps

Screw ring

For components with external thread 32x2

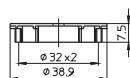
Ø 38.9 mm, height: 7.5 mm

Material: PPS, black

Weight: 2.3 g, unit: 1000 pcs.

Type: 97282

**Ref. No.: 502416**



GU10, GZ10 lampholders

Casing: steatite, cover plate: PPS

T240, nominal rating: 2/250

Push-in terminals for stranded conductors with ferrule on bare end of core Ø 1.5–1.8 mm

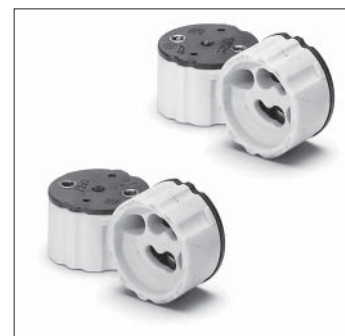
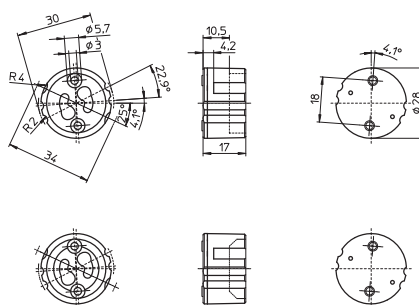
Fixing holes for screws M3

Weight: 13.6/14 g, unit: 500 pcs.

Type: 31755/31705

**Ref. No.: 535034** GU10, GZ10 lampholder

**Ref. No.: 535032** GU10 lampholder



Cover caps for lampholders type 315/317

Material: PBT GF

Front fixing holes for self-tapping

screws acc. to ISO 1481/7049-ST2.9-C/F

Cord grip: twist and block (for single-core leads)

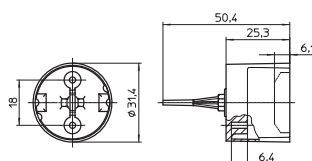
Rear lead exit: max. Ø 2.5 mm

Weight: 6.9 g, unit: 500 pcs.

Type: 97765

**Ref. No.: 536164** black

**Ref. No.: 543615** grey



GU/GZ10 lampholder set

For luminaires of protection class II

Casing lampholder: steatite, cover plate: PPS

T240, nominal value: 2/250

Cover cap with cord grip: PBT GF

Leads: Cu, stranded conductors

0.5 mm<sup>2</sup>, double FEP-insulation, length: 150 mm

Weight: 25 g, unit: 500 pcs.

Type: 31760

**Ref. No. 554662**

