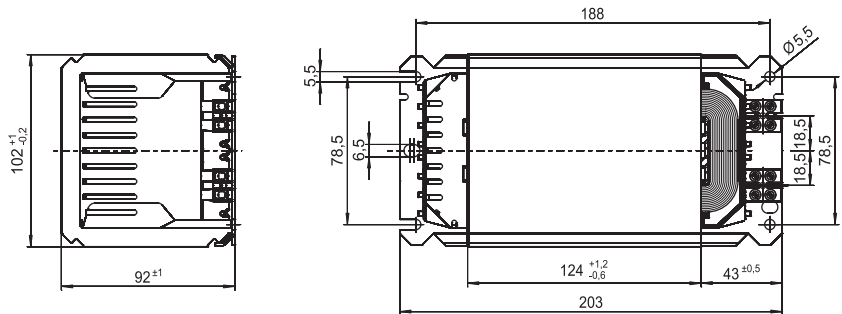
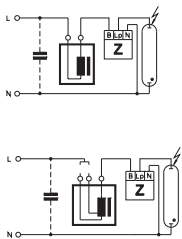


Ballasts for HS and HI Lamps 1000 W

Shape: 92x102 mm

For high pressure sodium lamps (HS) and metal halide lamps (HI)
 Vacuum-impregnated with polyester resin
 Screw terminals: 0.75–2.5 mm²
 Protection class I
 tw 130
 Ballasts for pulse ignition system on request



Lamp			Ballast										Capacitor	
Output W	Type	Current A	Type	Ref. No.	Voltage AC V, Hz	a mm	b mm	c mm	Weight kg	Δt K	Power factor λ	Energy efficiency	C _P μF	I _N A
1000	HS	10.30	NaHJ 1000.089	534487	220, 50	203	188	124	8.90	80	0.47	A2	100	5.1
	HI	9.50									0.51		85	5.0
1000	HS	10.30	NaHJ 1000.089	539212	220/230, 50	203	188	124	8.90	80	0.45	A2	100	5.1
	HI	9.50									0.49		85	5.0
1000	HS	10.30	NaHJ 1000.089	528548	230, 50	203	188	124	8.90	80	0.45	A2	100	5.1
	HI	9.50									0.49		85	5.0
1000	HS	10.30	NaHJ 1000.089	544787	230/240, 50	203	188	124	8.90	85	0.45	A2	100	5.1
	HI	9.50								70	0.46		85	5.0
1000	HS	10.30	NaHJ 1000.089	536140	240, 50	203	188	124	8.90	85	0.42	A2	100	4.8
	HI	9.50								75	0.46		85	4.9
1000	HS	10.30	NaHJ 1000.089	528536	220, 60	203	188	124	8.90	75	0.46	A2	100	5.1
	HI	9.50								60	0.50		85	5.0