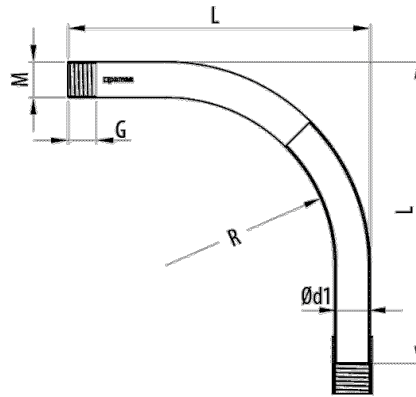


90° RRGC Bend



Description

90° threaded bend in hot dip galvanised steel for the connection of RRGC conduits in installations that require high mechanical performance and high resistance to corrosion. IP54 protection index. Available in different diameters.

Advantages

Threaded connection for joining RR conduits or accessories. Supplied complete with coupler.

Protection index EN 60529: IP54.

Working temperature: -45°C to + 400°C.

CE conformity to the 2014/35 directive and the IEC 61386 standard.

Manufactured in hot dip galvanised steel (standard EN ISO 1461), suitable for outdoor installations and in aggressive environments. Grade 4 corrosion resistance, according to IEC 61386. High indoor and outdoor protection.

Applications

Suitable for the creation of 90° angles in RRGC threaded metal rigid conduit installations that require high mechanical performance and high resistance to corrosion. In building applications, tertiary and industrial sectors with high safety requirements. Premises of public concurrence and premises with risk of fire or explosion. Installation in external and aggressive environments.

Solutions



90° RRGC Bend

Main technical characteristics

| | | | |
|------------------------------|---|-----------------------------------|----------------------------|
| H.D.G. | DN NW16, NW20, NW25, NW32, NW40, NW50, NW63 | M16, M20, M25, M32, M40, M50, M63 | Steel with surface coating |
| 4000 | 20 | IP54 | -45° / 400° |
| Halogen free Flame retardant | | ETIM EC001493 | |

Product data

| DN | | | | | L _{mm} | R _{EF} | kg/u | |
|------|-----|----|------|-----|-----------------|-----------------|-------|------|
| NW16 | M16 | 12 | 13.2 | 50 | 140 | 55014116 | 0.167 | 15 u |
| NW20 | M20 | 12 | 16.8 | 60 | 160 | 55014120 | 0.213 | 25 u |
| NW25 | M25 | 15 | 21.8 | 60 | 190 | 55014125 | 0.308 | 25 u |
| NW32 | M32 | 18 | 28.8 | 80 | 245 | 55014132 | 0.469 | 20 u |
| NW40 | M40 | 20 | 36.8 | 100 | 290 | 55014140 | 0.866 | 15 u |
| NW50 | M50 | 20 | 46.8 | 120 | 360 | 55014150 | 1.361 | 5 u |
| NW63 | M63 | 20 | 59.4 | 200 | 450 | 55014163 | 2.500 | 3 u |

Coatings

PG/GS - Pre-Galvanised Finish. Resistance to corrosion according to EN-10346. Adequate for indoor installations.

EZ - Electrogalvanized, white, according to EN ISO 2081. Electrolytic zinc protection adequate for indoor installations.

BC - Electrogalvanized Bycro, yellow, in compliance with EN ISO 2081. Improved resistance to corrosion, especially adequate for demanding indoor installations.

GC - Hot-dipped galvanizing in compliance with EN ISO 1461. Appropriate for outdoor installations and aggressive environments.

BLACK C8 - High Resistance coating, Black Colour. Neutral Salt Spray Chamber test >1000 h acc. to ISO 9227.

304 and 316L stainless steel, in compliance with EN 10088 standard, with passivated Thermicon treatment. Appropriate for outdoor installations and highly aggressive environments.

