

CHARGING CABLE MODE 2 WITH CEE PLUG

CHARGING CABLE FOR ELECTRIC VEHICLES



MENNEKES Mode 2 charging cables are designed for charging electric and hybrid vehicles at CEE 16A sockets.




Product features

- Charging cable mode 2 according to IEC 62752
- Charging power 3,7 kW

- Degree of protection IP44 (with protection cap)
- Protection class IC-CPD IP 69k

- IC-CPD Module
- RCD Typ A ($I_{\Delta N} = 30\text{mA}$) + DC ($I_{\Delta NDC} = 6\text{mA}$)
- Multi-stage temperature management
- Automatic charge current reduction in case of overheating of CEE plug or IC-CPD module
- Detection of incorrect PE wiring in the wall socket
- Automatic continuation of charging process after voltage recovery

Technical data

Item Number	35203100062	35203100068	35103100072
Vehicle side	Type 2 	Type 2 	Type 1 
Charging mode according to IEC 61851	Mode 2		
Infrastructure connector acc. to IEC 60309	CEE		
Infrastructure cable length	0,3m		
Total cable length	4m	8m	8m
Nominal voltage U_n	230 V AC		
Nominal frequency	50 Hz		
Rated Current	16 A, single-phase		
Residual current circuit breaker (RCD)	Typ A ($I_{\Delta N} = 30\text{mA}$) + DC ($I_{\Delta NDC} = 6\text{ mA}$) bipolar 1P+N		
Charging power	3,7 kW		
Ambient temperature	-40°C up to 50°C		
Protection class IC-CPD	IP 69k		
Degree of protection	IP 44		
Cable cross section [mm ²]	3 G 2,5 + 0,5		
Weight	2-4kg (depending on version)		

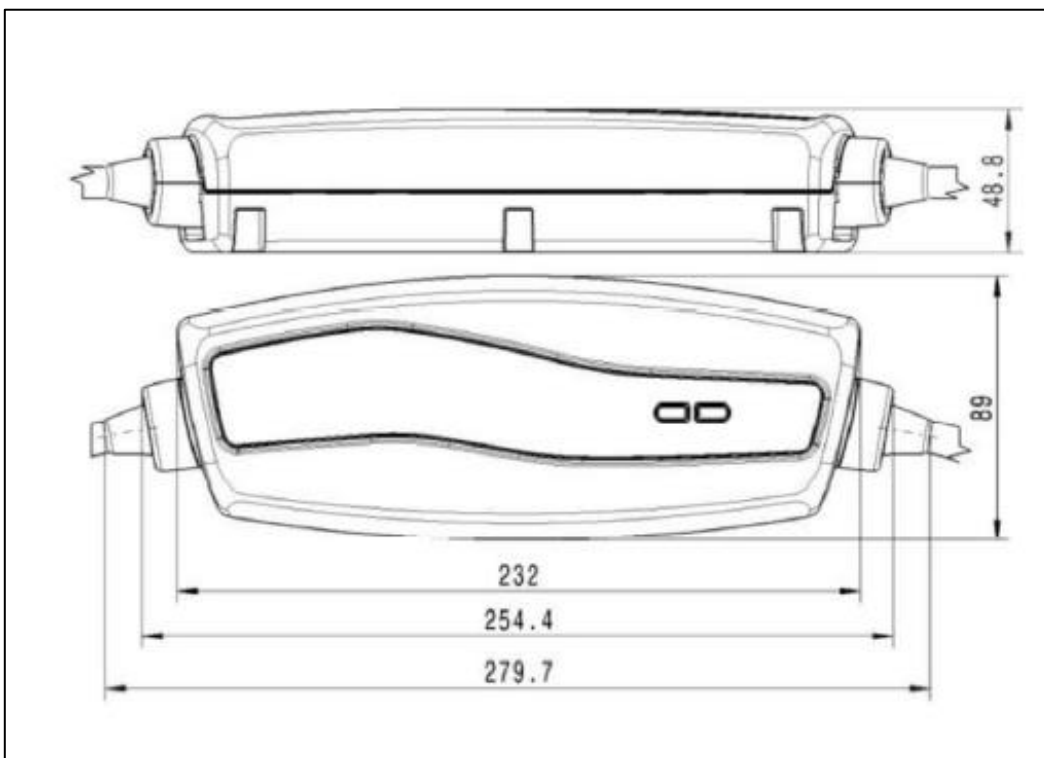
Construction

Frontview IC-CPD



A. LED

Dimensions [mm]



MENNEKES

Elektrotechnik GmbH & Co. KG

Aloys-Mennekes-Straße 1
57399 KIRCHHUNDEM
GERMANY

Phone: + 49 2723 41-1

Fax: + 49 2723 41-214

info@MENNEKES.de

www.MENNEKES.com

www.chargeupyourday.com