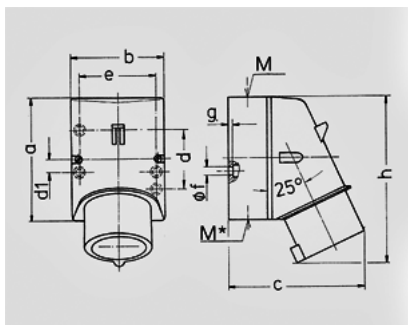


Fasenwisselaar als toestelcontactdoos - Bestelnr. 2511

- schroefklemmen



| Technische informatie | |
|-----------------------|----------------|
| Ampere | 16 A |
| Polen | 5 p |
| Voltage | 400 V |
| Uurstand | 6 h |
| Hertz | 50-60 Hz |
| Aansluittechniek | schroefklemmen |
| Contacten | standaard |
| Beschermingsgraad | IP 44 |



| Tekening 2 MB 32 | Amp. Polen | 16 | | | 32 | | |
|------------------------------|---------------|-------------------------|------|------|-------------------------|-------|-------|
| | | 3 | 4 | 5 | 3 | 4 | 5 |
| Maten in mm | a | 87 | 100 | 100 | 128 | 128 | 128 |
| | b | 64 | 75 | 75 | 84 | 84 | 84 |
| | c | 93 | 106 | 110 | 133 | 133 | 135 |
| | d | 40 | — | — | — | — | — |
| | d1 | — | 10,5 | 10,5 | 11 | 11 | 11 |
| | e | 50,5 | 59 | 59 | 68 | 68 | 68 |
| | f | 4,5 | 5 | 5 | 5,3 | 5,3 | 5,3 |
| | g | 4 | 4 | 4 | 4 | 4 | 4 |
| | h | 122 | 133 | 135 | 169 | 169 | 170 |
| | M | 20 | 20 | 20 | 32 | 32 | 32 |
| | M* | 1x20 (blind) breekpoort | | | 2x25 (blind) breekpoort | | |
| Kabel Ø tot mm | | 15 | 15 | 15 | 18/25 | 18/25 | 18/25 |
| Kabelaansluiting van/tot mm² | | 1 | 1 | 1 | 2,5 | 2,5 | 2,5 |
| | | -2,5 | -2,5 | -2,5 | -6 | -6 | -6 |