

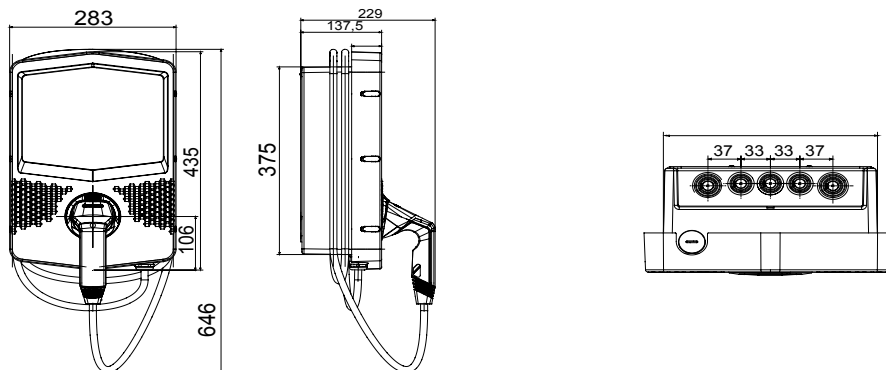


I-CON EVO wallboxes are JOINON solutions designed to integrate into private and semi-public scenarios in compliance with the international standard IEC 61851-1 ed. 3. They feature an elegant and compact design, special "one-hand charge" functionality and the presence of a vandal-proof socket, IP55 degree combined with IK10-certified mechanical resistance, full connectivity to support the dedicated JOINON EVO App for a complete and easy charging control, intelligent load management and energy produced by any photovoltaic panels (also in Master/Slave mode), and different installation options: wall, recessed or floor.

INPUT		- Socket/Connector Nr. (Type)	
Terminal blocks	5 x 10 mm <sup>2</sup>	Charging activation	1 (Type 2 connector with 5 mt. cable)
Rated current	32 A	Human Interface	Remotely managed, via OCPP 1.6J
Total power	22 Kilowatt	Connectivity	RGB Led
OUTPUT		- MECHANICAL FACTS	
Rated voltage	400 V	Mounting and installation	LAN,4G
Current supplied (max)	32 A	Colour	Wall mounting (floor mounting with support)
Maximum current	22 Kilowatt	Material	Dark grey
Thermal-magnetic protection	Currently not present	External treatments	Thermoplastic (Post-industrial origin)
Type of residual current protection	Currently not present	IP degree	No
Power meter	Yes (Type MID)	Mechanical resistance	IP55
DC Leakage check	Yes	Operating temperature	IK10
(Auto)restart electrical protections	Currently not present	Customizations	-25 +50 °C
			Yes (front)

### DIMENSIONAL

40



### TECHNICAL SYMBOLOGY

**IP**      **IK**

IP55      IK10

### STANDARDS/APPROVALS

