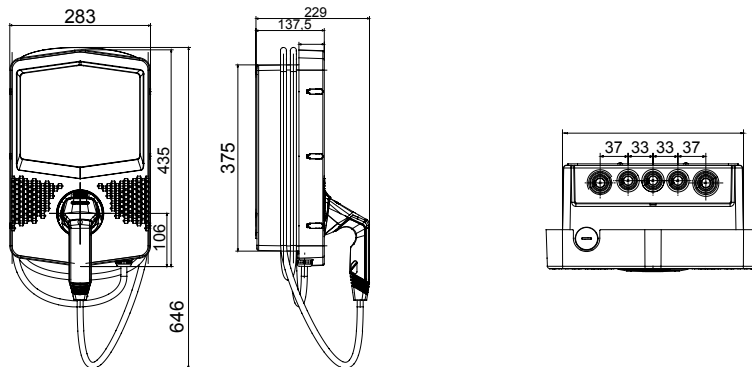




I-CON EVO wallboxes are JOINON solutions designed to integrate into private and semi-public scenarios in compliance with the international standard IEC 61851-1 ed. 3. They feature an elegant and compact design, special "one-hand charge" functionality and the presence of a vandal-proof socket, IP55 degree combined with IK10-certified mechanical resistance, full connectivity to support the dedicated JOINON EVO App for a complete and easy charging control, intelligent load management and energy produced by any photovoltaic panels (also in Master/Slave mode), and different installation options: wall, recessed or floor.

INPUT		- Socket/Connector Nr. (Type)		1 (Type 2 antivandalproof, with shutter)
Terminal blocks	5 x 10 mm <sup>2</sup>	Charging activation		Remotely managed, via OCPP 1.6J
Rated current	32 A	Human Interface		RGB Led
Total power	22 Kilowatt	Connectivity		LAN,4G
OUTPUT		- MECHANICAL FACTS		-
Rated voltage	400 V	Mounting and installation		Wall mounting (floor mounting with support)
Current supplied (max)	32 A	Colour		Dark grey
Maximum current	22 Kilowatt	Material		Thermoplastic (Post-industrial origin)
Thermal-magnetic protection	Currently not present	External treatments		No
Type of residual current protection	Currently not present	IP degree		IP55
Power meter	Yes (Type MID)	Mechanical resistance		IK10
DC Leakage check	Yes	Operating temperature		-25 +50 °C
(Auto)restart electrical protections	Currently not present	Customizations		Yes (front)

### DIMENSIONAL



### TECHNICAL SYMBOLOGY

**IP**      **IK**

IP55      IK10

### STANDARDS/APPROVALS

