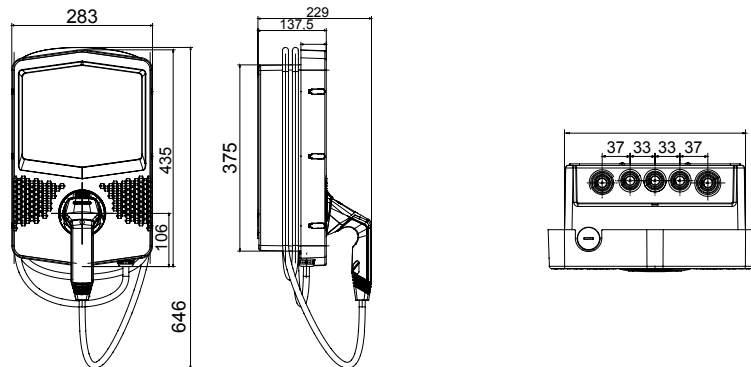




I-CON EVO wallboxes are JOINON solutions designed to integrate into private and semi-public scenarios in compliance with the international standard IEC 61851-1 ed. 3. They feature an elegant and compact design, special "one-hand charge" functionality and the presence of a vandal-proof socket, IP55 degree combined with IK10-certified mechanical resistance, full connectivity to support the dedicated JOINON EVO App for a complete and easy charging control, intelligent load management and energy produced by any photovoltaic panels (also in Master/Slave mode), and different installation options: wall, recessed or floor.

INPUT		- Socket/Connector Nr. (Type)		1 (Type 2 antivandalproof, with shutter)
Terminal blocks	3 x 10 mm ²	Charging activation	Remotely managed, via OCPP 1.6J	
Rated current	32 A	Human Interface	RGB Led	
Total power	7.4 Kilowatt	Connectivity	LAN,4G	
OUTPUT		- MECHANICAL FACTS		-
Rated voltage	230 V	Mounting and installation	Wall mounting (floor mounting with support)	
Current supplied (max)	32 A	Colour	Dark grey	
Maximum current	7.4 Kilowatt	Material	Thermoplastic (Post-industrial origin)	
Thermal-magnetic protection	Currently not present	External treatments	No	
Type of residual current protection	Currently not present	IP degree	IP55	
Power meter	Yes (Type MID)	Mechanical resistance	IK10	
DC Leakage check	Yes	Operating temperature	-25 +50 °C	
(Auto)restart electrical protections	Currently not present	Customizations	Yes (front)	

DIMENSIONAL



TECHNICAL SYMBOLOGY

IP **IK**

IP55 IK10

STANDARDS/APPROVALS

