

RQLG1

Kunststoffverschraubung
gerade, Außengewinde
konisch dichtend

Plastic connector
straight, outer thread
conically sealed

IP 65
-40°C ... +120°C

MATERIAL

Kunststoff [PA modifiziert]

MATERIAL

plastics [PA modified]

UL 1696 | CSA 22.2
UR file E86359
ASTM E162|E662
SMP 800-C

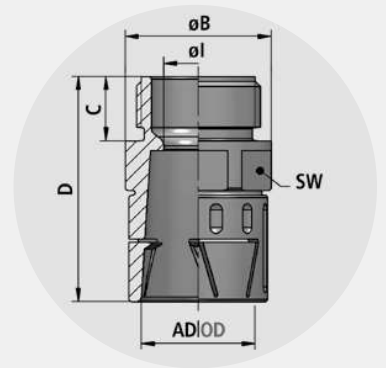


EIGENSCHAFTEN

- beständig gegen Öl und Benzin
- weitgehend säure- und lösungsmittelbeständig
- silikon-, cadmium- und halogenfrei

PROPERTIES

- resistant against oil and benzene
- widely resistant to acids and solvents
- free of silicone, cadmium, halogen



FLEXA No.	FLEXA No.	AD OD									
schwarz black	grau grey	ø	øI	øB	C	D	SW	kg 100	St. Pcs.		

RQLG1-M [IP 65]

			Metr. EN 60423							
1 5115 010 212	1 5115 010 012	10,0	M 12 x 1,5	7,0	17,0	11,0	34,5	16	0,500	50
1 5115 013 216	1 5115 013 016	13,0	M 16 x 1,5	10,0	20,0	11,0	37,0	18	0,600	50
1 5115 015 220	1 5115 015 020	15,8	M 20 x 1,5	12,5	24,0	11,0	38,0	22	0,800	50
1 5115 018 220	1 5115 018 020	18,5	M 20 x 1,5	14,0	26,0	13,0	40,0	27	1,000	50
1 5115 018 225	1 5115 018 025	18,5	M 25 x 1,5	14,0	26,0	13,0	40,0	27	1,000	50
1 5115 021 220	1 5115 021 020	21,2	M 20 x 1,5	14,0	29,5	13,0	45,5	27	1,200	50
1 5115 021 225	1 5115 021 025	21,2	M 25 x 1,5	14,0	29,5	13,0	45,5	27	1,200	50
1 5115 028 225	1 5115 028 025	28,5	M 25 x 1,5	18,8	36,0	13,0	49,0	35	1,700	25
1 5115 028 232	1 5115 028 032	28,5	M 32 x 1,5	18,8	36,0	13,0	49,0	35	1,700	25
1 5115 034 232	1 5115 034 032	34,5	M 32 x 1,5	26,0	45,5	15,0	54,0	43	2,700	25
1 5115 034 240	1 5115 034 040	34,5	M 40 x 1,5	26,0	45,5	15,0	54,0	43	2,700	25
1 5115 042 240	1 5115 042 040	42,5	M 40 x 1,5	35,0	55,5	15,0	61,0	53	4,300	25
1 5115 042 250	1 5115 042 050	42,5	M 50 x 1,5	35,0	52,0	16,0	61,0	53	4,300	25
1 5115 054 250	1 5115 054 050	54,5	M 50 x 1,5	45,0	55,5	16,0	68,0	66	5,900	10
1 5115 054 263	1 5115 054 063	54,5	M 63 x 1,5	45,0	64,0	16,0	68,0	66	5,900	10

RQLG1-P [IP 65]

			PG DIN 40430							
1 5515 010 207		10,0	7	7,0	17,0	12,0	34,5	16	0,500	50
1 5515 013 209		13,0	9	10,0	20,0	12,0	37,0	18	0,600	50
1 5515 015 211		15,8	11	12,5	24,0	12,0	38,0	22	0,800	50
1 5515 018 213		18,5	13,5	14,0	26,0	13,0	40,0	27	1,000	50
1 5515 021 216		21,2	16	14,0	29,5	13,0	45,5	27	1,200	50
1 5515 028 221		28,5	21	18,8	36,0	15,0	49,0	35	1,700	25
1 5515 034 229		34,5	29	26,0	44,0	15,0	54,0	43	2,700	25
1 5515 042 236		42,5	36	35,0	52,0	16,0	61,0	53	4,300	25
1 5515 054 248		54,5	48	45,0	64,0	16,0	68,0	66	5,900	10

RQLG1-N [IP 65]

			NPT ANSI/ASME B1.20.1							
1 5715 015 205		15,8	1/2"	12,4	23,7	13,0	38,0	22	0,900	100
1 5715 021 205		21,2	1/2"	14,0	29,5	13,0	45,5	27	1,200	100
1 5715 028 214		28,5	3/4"	18,8	37,0	12,5	47,0	34	1,700	50
1 5715 034 210		34,5	1"	25,0	46,0	15,0	51,0	43	2,500	50