

Mini Hooter HP

Universal signalling device for dry and damp rooms



Overview

The HP hooter is a small, high-volume signalling device used for calling, warning and indicating purposes in dry and damp rooms.

Thanks to its small dimensions, it can be used even in cramped conditions.

The plastic housing is made of impact-resistant thermo-plastic (ABS). The sound source is a sturdy capsule system which is available for all usual DC and AC supply voltages.

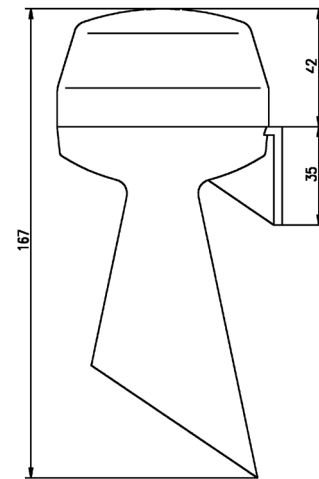
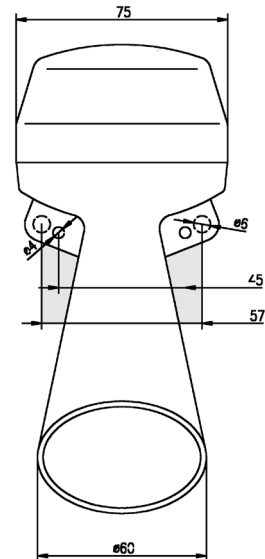
Features

- Small dimensions
- High volume
- Continuous operation
- Low current consumption
- Easy installation
- Ingress Protection IP 43

Specifications

Housing	Thermoplastic (ABS), impact-resistant
Colour	Grey
Ingress protection	IP 43 according to IEC 60529
Protection class	II
Connection terminals	Terminal capacity: 1.5 mm ² fine-wire 2.5 mm ² single-wire
Volume	Approx. 92 dB(A), in 1 m distance
Operating conditions	In dry or damp rooms
Operating position	Horn facing downward
Operating mode	Continuous operation
Temperature range	
Operation	-20 °C to +60 °C
Storage	-30 °C to +70 °C
Weight	0.185 kg

General arrangement drawing (all dimensions in mm)



Ordering data

Type	Designation	Nominal voltage	Tolerance	Current consumption	Art. No.
HP	Mini Hooter	24 VAC, 50 Hz	+10/-15 %	250 mA	FHF 212 203 03
HP	Mini Hooter	48 VAC, 50 Hz	+10/-15 %	150 mA	FHF 212 203 04 48
HP	Mini Hooter	110 VAC, 50 Hz	+10/-15 %	60 mA	FHF 212 203 06
HP	Mini Hooter	230 VAC, 50 Hz	+10/-15 %	20 mA	FHF 212 203 07
HP	Mini Hooter	12 VDC	+10/-15 %	180 mA	FHF 212 203 12
HP	Mini Hooter	24 VDC	+10/-15 %	100 mA	FHF 212 203 13
HP	Mini Hooter	110 VDC	+10/-15 %	30 mA	FHF 212 203 16
HP	Mini Hooter	220 VDC	+10/-15 %	20 mA	FHF 212 203 17