

Signalling Bell AW 1-AW 4

Corrosion-resistant signalling device for indoor and outdoor use



Overview

The signalling bells are used for clear calling, reporting and warning purposes as a high-pitched bell sound stands out clearly against ambient noise. Different dome sizes enable ideal signalling.

The drive system of the multi-stroke signalling bell consists of a single-coil electromagnet.

In the AC variant a diode in the circuit enables a current flow in half period, so that the striker oscillates in time with the supply frequency.

The DC types are equipped with a non-wearing electronic contact breaker. The stroke rate is approx. 50 strokes/sec.

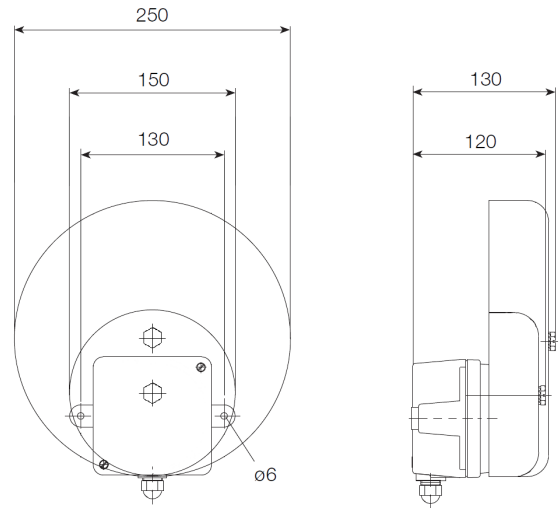
Features

- Multi-stroke and single-stroke signalling bell
- Various flat domes

Specifications

Housing	Corrosion-resistant aluminium die cast with pebble grey varnish (RAL 7001)
Bell dome	Steel flat dome, pebble grey (RAL 7001) 150 mm and 250 mm (steel flat dome 105 mm on request)
Ingress protection	IP 55 according to EN 60529
Protection class	I
Cable gland	1 x M20, for line diameters of 6-11 mm with integrated pressure balance function
Connection terminals	Terminal capacity: 2.5 mm ² fine-wire 4.0 mm ² single-wire
Volume	Approx. 100 to 110 dB(A), depending on dome size (in 1 m distance)
Operating mode	Continuous operation for AW 1 and AW 2 Short-time operation 5 min for AW 3 and AW 4
Operating conditions	Indoors and outdoors
Operating position	Striker facing downward
Temperature range	
Operation	-20 °C to +60 °C
Storage	-30 °C to +70 °C
Weight	Approx. 1.45 kg with flat dome 150 mm Approx. 2.95 kg with flat dome 250 mm

General arrangement drawing (all dimensions in mm)



Ordering data

Type	Designation	Input voltage	Tolerance	Current consumption	Art. No.
Multi-stroke Signalling Bell AW 1/AW 2 (150 mm flat dome)					
AW 1	Signalling Bell	12 VAC	+10 %/-15 %	0.60 A	FHF 211 621 02
AW 1	Signalling Bell	24 VAC	+10 %/-15 %	0.32 A	FHF 211 621 03
AW 1	Signalling Bell	42 VAC	+10 %/-15 %	0.30 A	FHF 211 621 04
AW 1	Signalling Bell	60 VAC	+10 %/-15 %	0.24 A	FHF 211 621 05
AW 1	Signalling Bell	110 VAC	+10 %/-15 %	0.14 A	FHF 211 621 06
AW 1	Signalling Bell	230 VAC	+6 %/-10 %	0.06 A	FHF 211 621 07
AW 1	Signalling Bell	120 VAC/60 Hz	+10 %/-15 %	0.18 A	FHF 211 621 26
AW 1	Signalling Bell	240 VAC/60 Hz	+10 %/-15 %	0.065 A	FHF 211 621 27
AW 2	Signalling Bell	6 VDC	+10 %/-15 %	1.2 A	FHF 211 621 11
AW 2	Signalling Bell	12 VDC	+10 %/-15 %	0.60 A	FHF 211 621 12
AW 2	Signalling Bell	24 VDC	+10 %/-15 %	0.35 A	FHF 211 621 13
AW 2	Signalling Bell	48 VDC	+10 %/-15 %	0.30 A	FHF 211 621 14
AW 2	Signalling Bell	60 VDC	+10 %/-15 %	0.23 A	FHF 211 621 15
AW2	Signalling Bell	110 VDC	+10 %/-15 %	0.13 A	FHF 211 621 16
AW 2	Signalling Bell	220 VDC	+10 %/-15 %	0.07 A	FHF 211 621 17

Multi-stroke Signalling Bell AW 1/AW 2 (250 mm flat dome)					
AW 1	Signalling Bell	12 VAC	+10 %/-15 %	0.60 A	FHF 211 623 02
AW 1	Signalling Bell	24 VAC	+10 %/-15 %	0.32 A	FHF 211 623 03
AW 1	Signalling Bell	42 VAC	+10 %/-15 %	0.30 A	FHF 211 623 04
AW 1	Signalling Bell	60 VAC	+10 %/-15 %	0.24 A	FHF 211 623 05
AW 1	Signalling Bell	110 VAC	+10 %/-15 %	0.14 A	FHF 211 623 06
AW 1	Signalling Bell	230 VAC	+10 %/-15 %	0.06 A	FHF 211 623 07
AW 1	Signalling Bell	120 VAC/60 Hz	+10 %/-15 %	0.18 A	FHF 211 623 26
AW 1	Signalling Bell	240 VAC/60 Hz	+10 %/-15 %	0.065 A	FHF 211 623 27
AW 2	Signalling Bell	6 VDC	+10 %/-15 %	1.2 A	FHF 211 623 11
AW 2	Signalling Bell	12 VDC	+10 %/-15 %	0.60 A	FHF 211 623 12
AW 2	Signalling Bell	24 VDC	+10 %/-15 %	0.35 A	FHF 211 623 13
AW 2	Signalling Bell	48 VDC	+10 %/-15 %	0.30 A	FHF 211 623 14
AW 2	Signalling Bell	60 VDC	+10 %/-15 %	0.23 A	FHF 211 623 15
AW 2	Signalling Bell	110 VDC	+10 %/-15 %	0.13 A	FHF 211 623 16
AW 2	Signalling Bell	220 VDC	+10 %/-15 %	0.07 A	FHF 211 623 17

The AW 1 multi-stroke AC versions work with half-wave DC current.

The contact-breaker system in the AW 2 DC versions produces an intermittent direct current.

Thus, when planning the supply lines and fuses, it should be considered that the given values are mean current values and the peaks are higher. The correct polarity of the connection line must be observed.

Single-stroke Signalling Bell AW 3/AW 4 (150 mm flat dome)					
AW 3	Signalling Bell	230 VAC	+6 %/-10 %	0.1 A	FHF 211 622 07
AW 4	Signalling Bell	12 VDC	+10 %/-15 %	2.0 A	FHF 211 622 12
AW 4	Signalling Bell	24 VDC	+10 %/-15 %	1.0 A	FHF 211 622 13

Single-stroke Signalling Bell AW 3/AW 4 (250 mm flat dome)					
AW 3	Signalling Bell	230 VAC	+6 %/-10 %	0.1 A	FHF 211 624 07
AW 4	Signalling Bell	12 VAC	+10 %/-15 %	2.0 A	FHF 211 624 12
AW 4	Signalling Bell	24 VAC	+10 %/-15 %	1.0 A	FHF 211 624 13

The Single-stroke Bells AW 3 and AW 4 are each equipped with an electromagnet system that drives the striker against the bell dome only once per current-on transition. The maximum permissible duty cycle is 5 min.