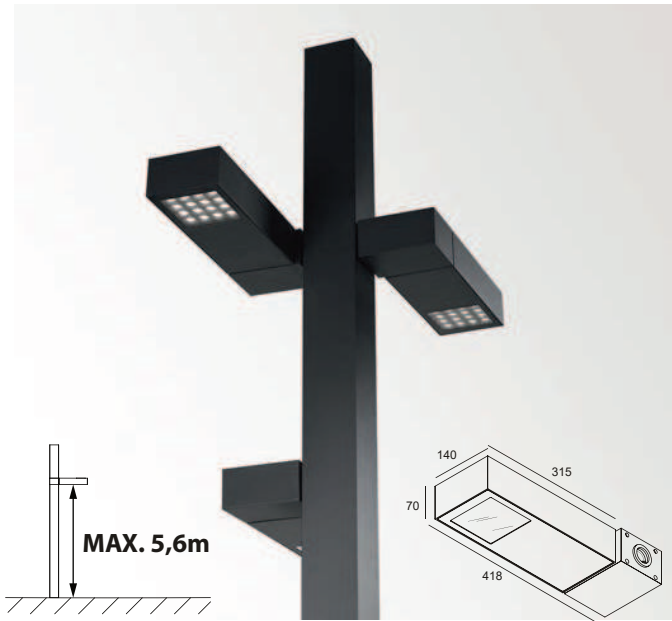


**POLESANO
BY DEAN SKIRA**

**DEEL
PARTIE
TEIL
PART
PARTE
PARTE** **A**



POLESANO LUMINAIRE



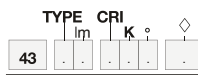
IP54
 Beschermd tegen stof - Spatwatervast
 Protégé contre les poussières - Protégé contre les projections d'eau
 Staubgeschützt - Geschützt gegen Spritzwasser
 Dust-protected - Protected against splashing water
 Protegido contra el polvo - Protegido contra salpicaduras de agua
 Protetto contro la polvere - Protetto contro gli schizzi d'acqua

IP66
 Stofdicht - Beschermd tegen ruwe zee
 Etanche aux poussières - Protégé contre les mers fortes
 Staubdicht - Geschützt gegen schwere See
 Dust-tight - Protected against heavy seas
 Hermético al polvo - Protegido contra mar gruesa
 A tenuta di polvere - Protetto contro i forti getti d'acqua

I
 Voorzien van aardingsaansluiting
 Avec mise à la terre
 Ausgerüst tet mit Erdungsanschluss
 Provided with grounding
 Con la toma de tierra
 Con presa a terra

Warning symbol
 Het toestel dient op een plaats te worden gemonteerd van waaruit langdurig staren in de lichtbron, vanop een afstand van 0,5m, vermeden wordt.
 Le luminaire doit être positionné afin d'éviter tous contacts prolongé visuels à moins de 0,5m.
 The luminaire should be positioned so that prolonged staring into the luminaire at a distance closer than 0,5m is not expected.
 Die leuchte soll so montiert werden, dass ein längerer direkter augekontakt mit der LED aus einer distanz von weniger als 0,5m vermieden wird
 Per evitare il rischio di danni alla vista, l'apparecchio deve essere montato in modo che non si possa guardare direttamente la sorgente luminosa da una distanza inferiore a 0,5 m per un tempo prolungato.
 La luminaria se tiene que instalar de tal forma que no se puesa mirar fijamente la fuente de luz por un tiempo prolongado a una distancia de menos de 0,5 m, ya que pueda dañar los ojos

NOMENCLATURE



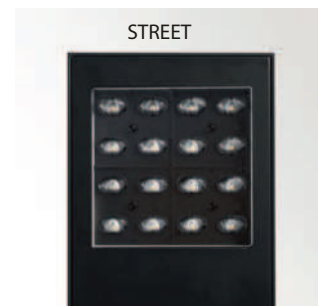
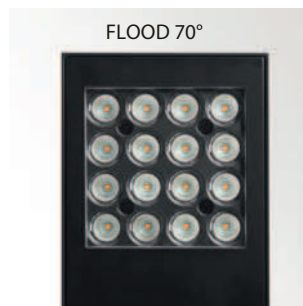
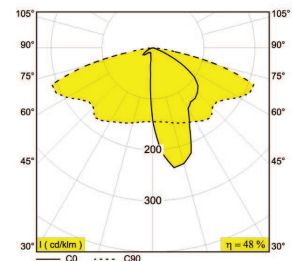
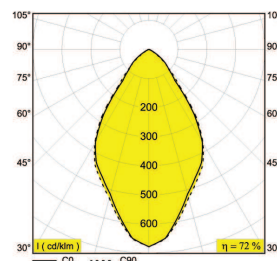
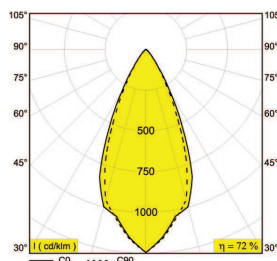
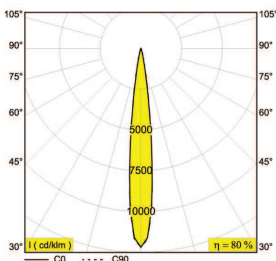
43 TYPE lm CRI K °

43 1 1 4481lm / 50W 7 CRI > 70 (ON REQUEST) 3 3000K 1 SPOT 15° N-B

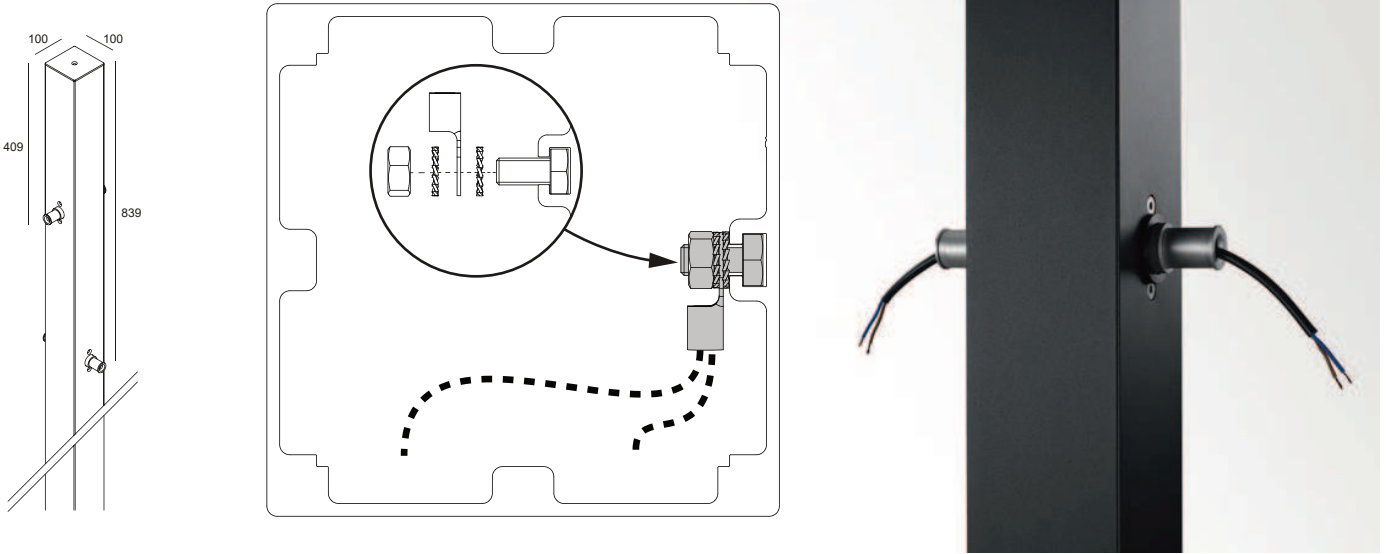
220-240V / 0|50-60Hz 8 CRI > 80 4 4000K 2 MEDIUM 43° A-B

3 FLOOD 70° 4 STREET LIGHT

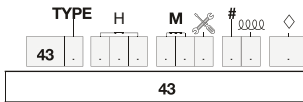
I CE 4,6 IP66



POLESANO POLES



NOMENCLATURE



220-240V / 0|50-60Hz
INCL. 1 x CABLE H05 RN-F 5 x 1mm² / LUMINAIRE

CE 4,4 /m IP54

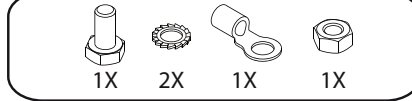
OPTIONS
FUSE BOX
IP54 JUNCTION BOX
IP68 CONNECTION KIT
PLATE 11 (ONLY FOR VERSION WITH BASE PLATE)

ALL ELECTRICAL CONNECTION NEED TO COMPLY WITH IP53 REGULATIONS

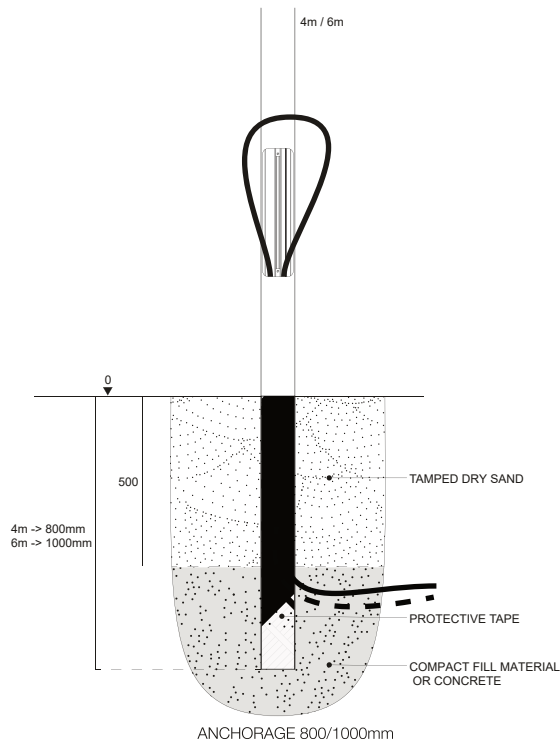
TYPE	HEIGHT	MOUNTING TYPE	SERVICE	# LUMINAIRE	WIRING	FINISH
TYPE	H	M	✂	#	0000	◇
1 POLE	400 4000mm	11 ANCHORAGE 800mm	1 1 HATCH	1 1 LUMINAIRE	0 NO WIRING*	N
		22 BASE PLATE RECESSED		21 2 LUMINAIRES 1 LEVEL	1 INCL. WIRING	A
	600 6000mm	12 ANCHORAGE 1000mm		22 2 LUMINAIRES 2 LEVELS		
		32 BASE PLATE RECESSED		3 3 LUMINAIRES		
				4 4 LUMINAIRES		

* ON REQUEST

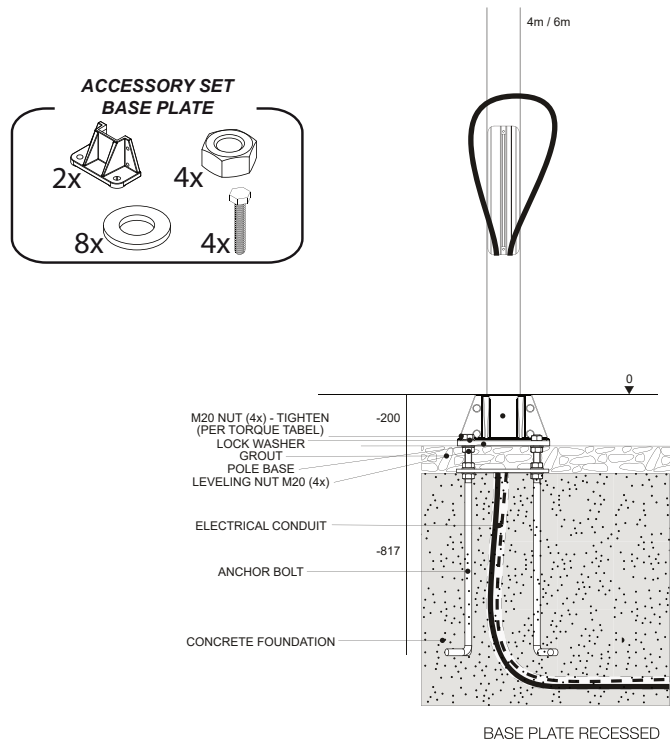
ACCESSORY SET



INSTALLATION WITH ANCHORAGE SECTION



INSTALLATION WITH BASE PLATE RECESSED

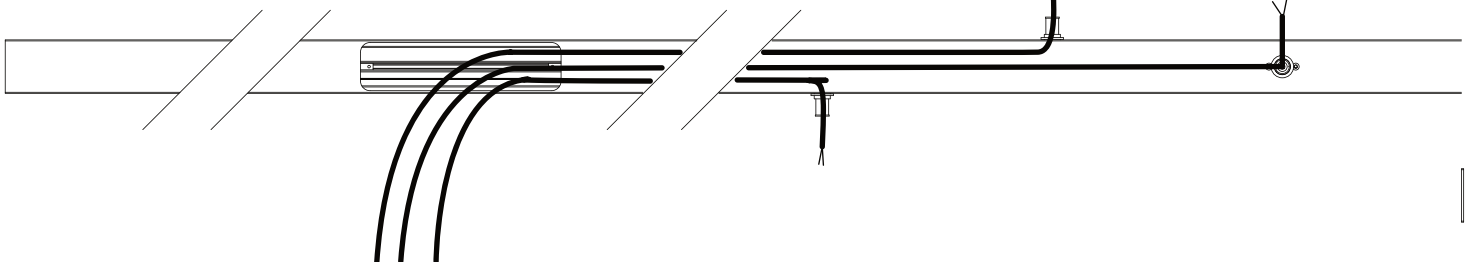


PACKAGING

- Pole as one long package

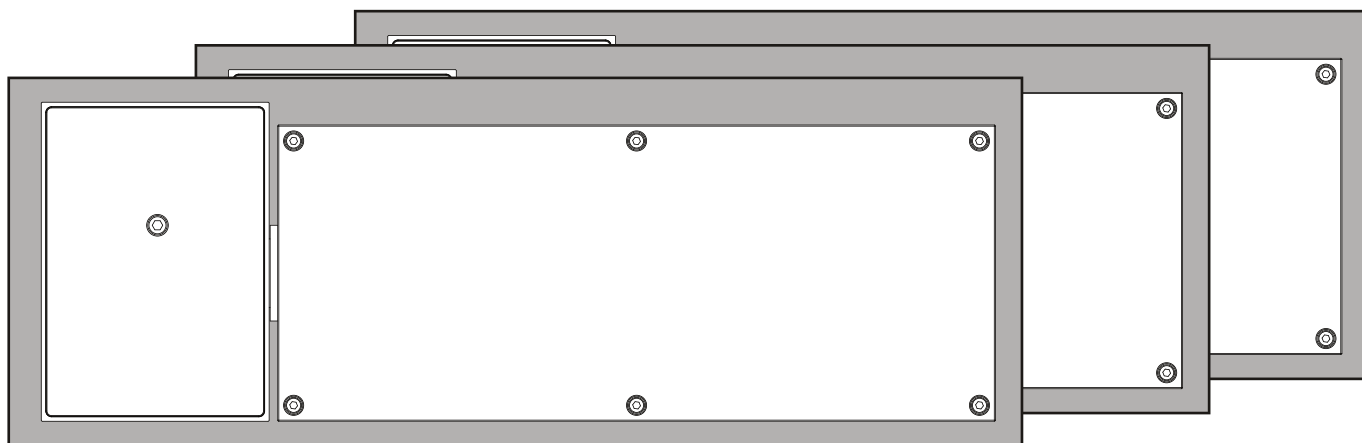


- Shafts are already mounted and also the wiring is installed.

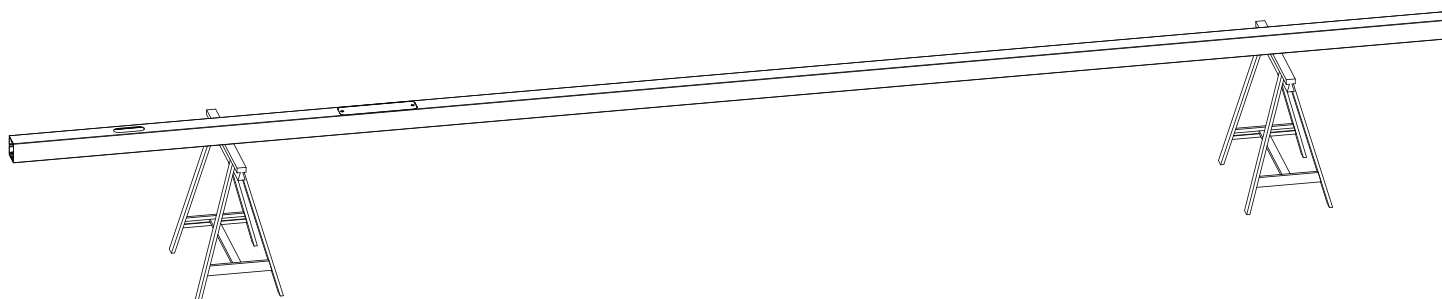


- Cable is locked

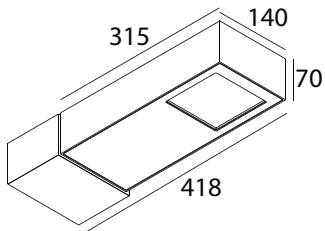
- 1 head / box
- 3 heads = 3 boxes



- use of two trestles to install the heads onto the pole.



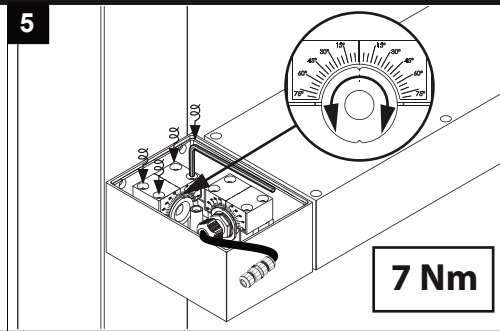
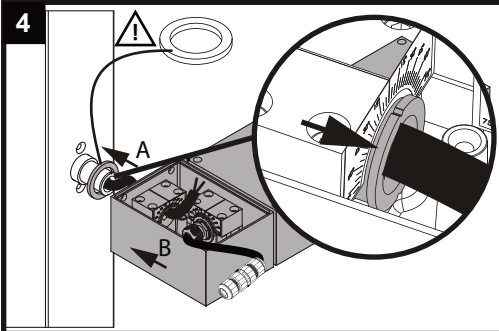
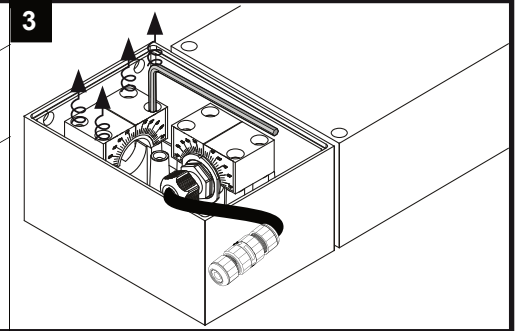
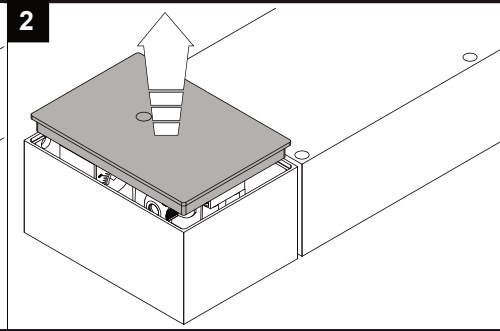
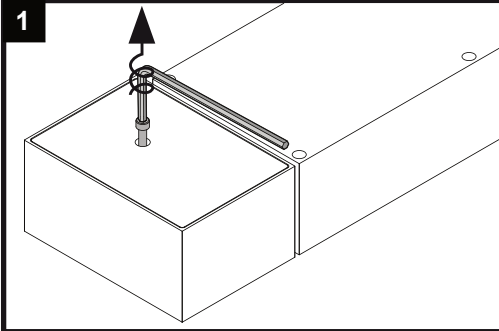
INSTALLATION LUMINAIRE ON POLE



ACCESSORIES

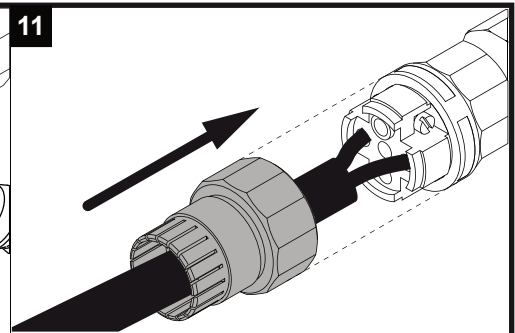
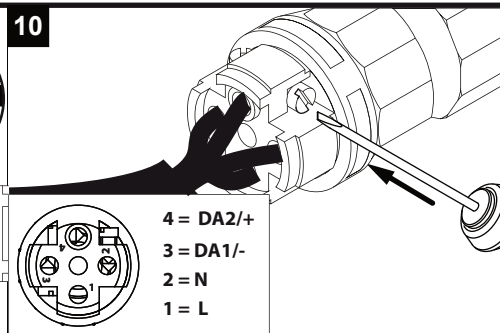
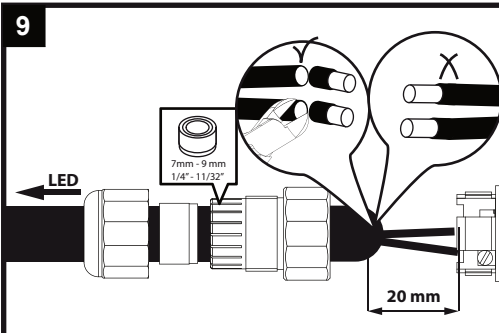
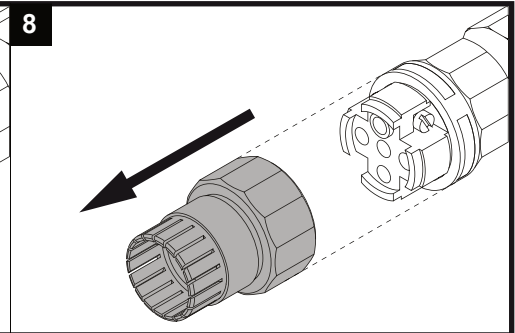
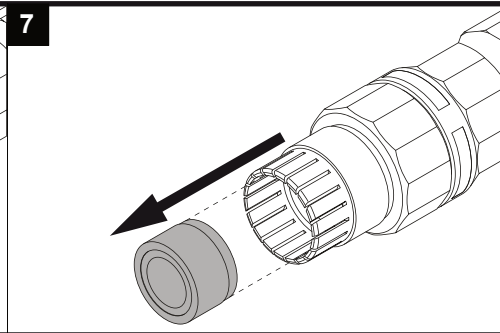
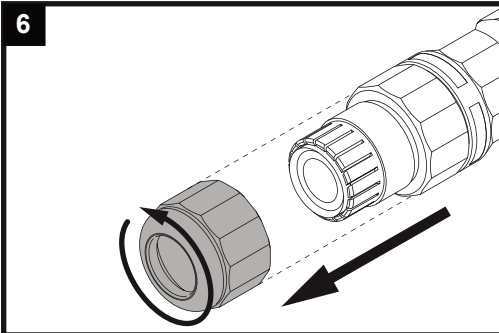
431 03 01
431 03 02

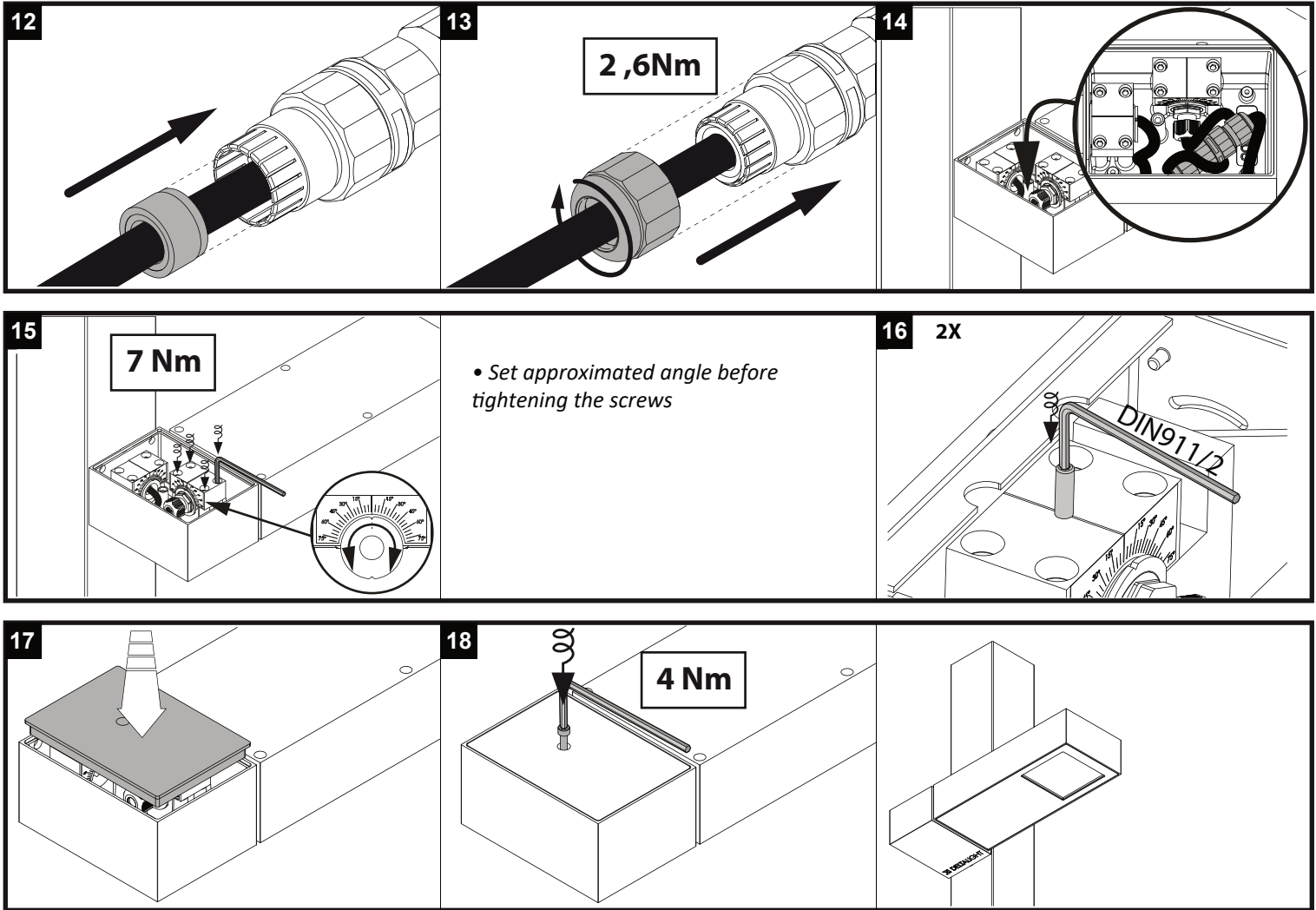
HONEYCOMB S105
LINEAR SPREAD LENS S105



• Set approximated angle before tightening the screws

7 Nm





De verlichtingsbron van dit verlichtingstoestel zal enkel door de fabrikant of door de fabrikant aangestelde installateur vervangen worden.

La source lumière de cet appareil ne sera remplacée que par l'entreprise ou par un agent reconnu.

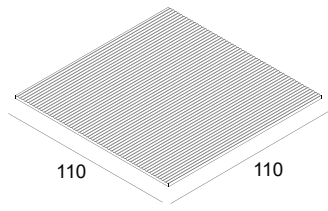
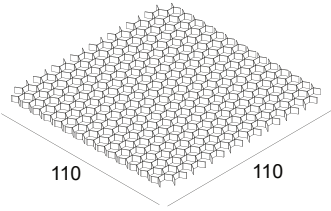
Das enthaltene Leuchtmittel sollte nur durch entsprechendes Fachpersonal ersetzt werden.

The light source contained in this luminaire shall only be replaced by the manufacturer or his service agent.

La fuente de iluminación que tiene esta luminaria sólo puede remplazarse por el fabricante o por un instalador autorizado.

La sorgente luminosa incorporata in questo apparecchio può essere sostituita solo dal produt tore, da un suo centro assistenza oppure da una persona in possesso della necessaria abilitazione.

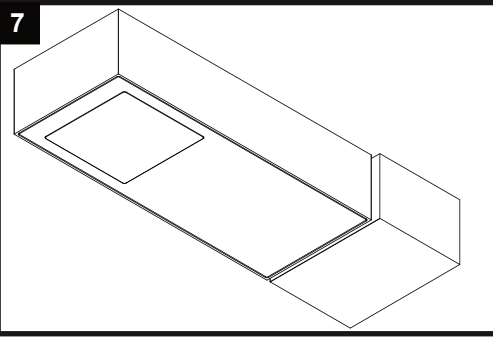
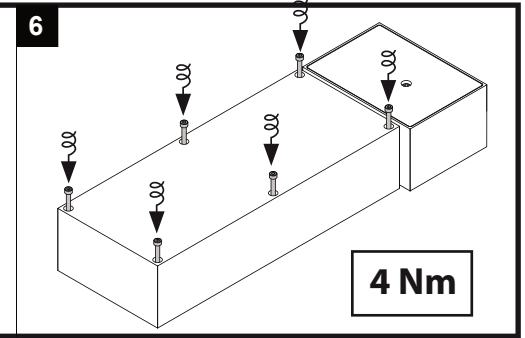
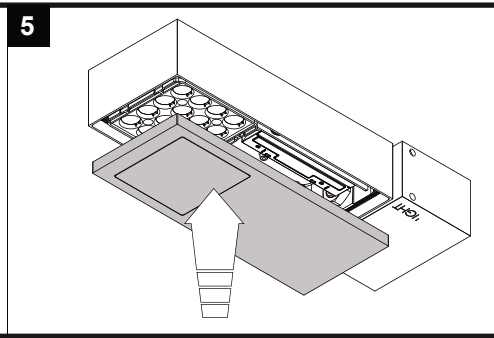
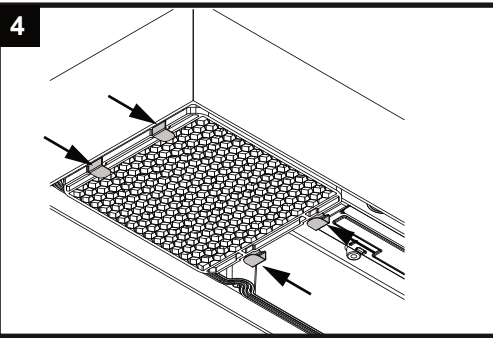
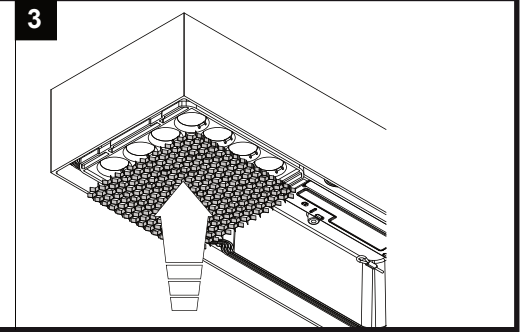
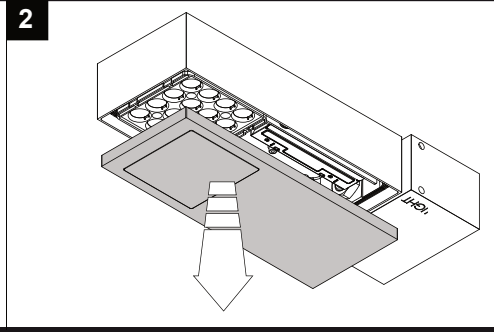
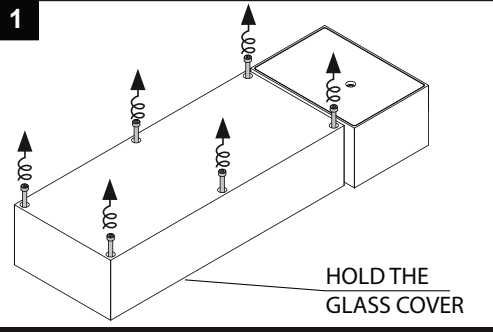
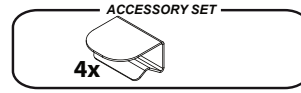
INSTALLATION ACCESSORIES ON LUMINAIRE



ACCESSORIES

431 03 01
431 03 02

HONEYCOMB S105
LINEAR SPREAD LENS S105



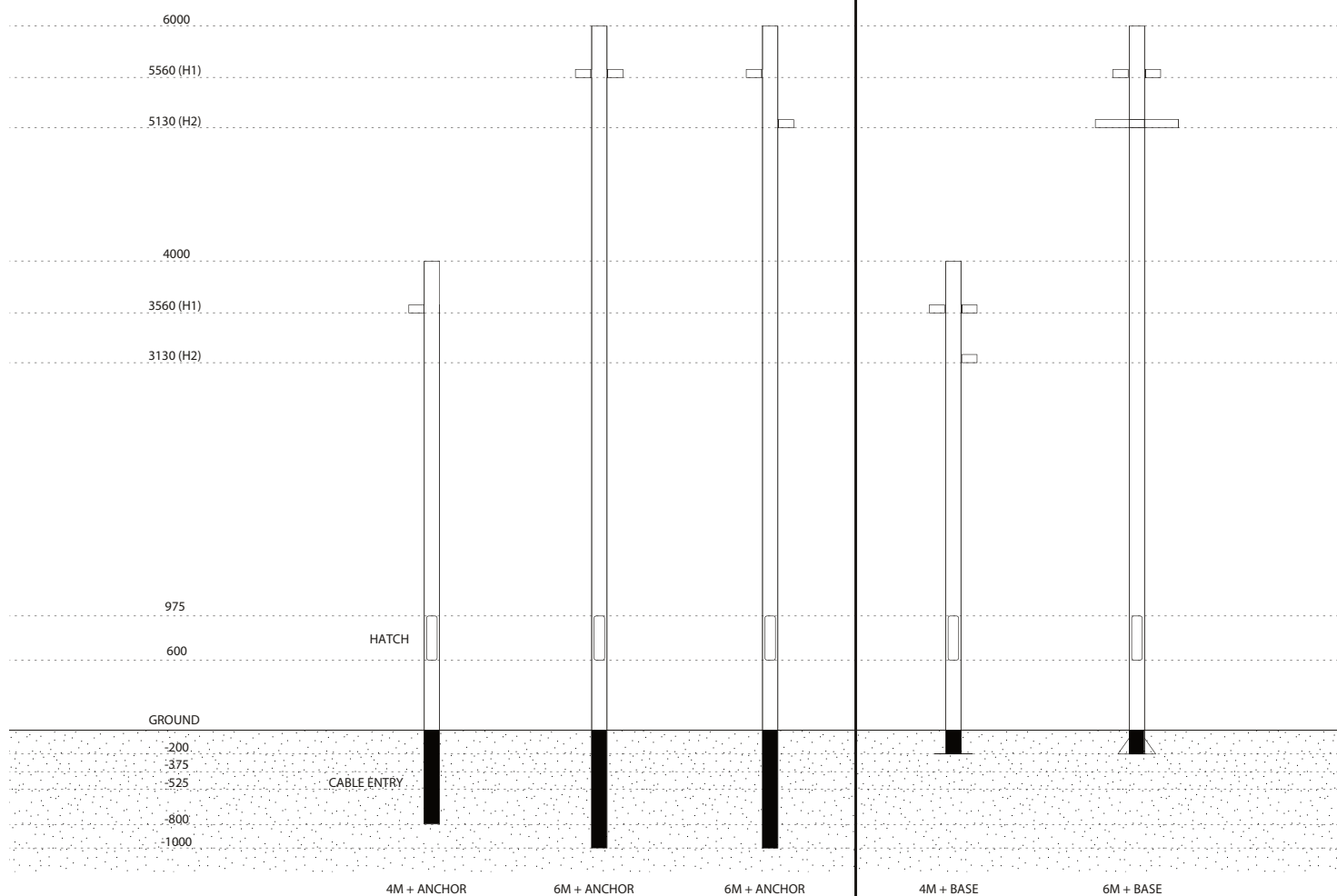
POLE TYPES

Configure to your needs

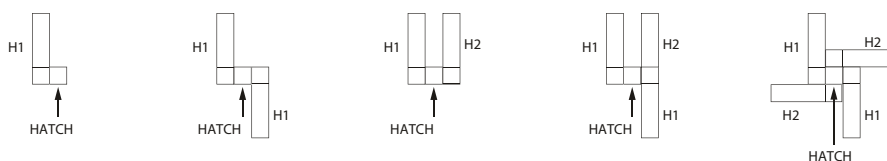
You can shape your Polesano according to the specific needs of your project. The pole comes in 2 standard heights, either 4 or 6 meters high. Both heights can be combined with one, two, three or four luminaires. The luminaires can be any mix of the spot, flood, medium or street optics, or a set of the same optics - depending on the specific illumination requirements of its landscape. Besides the height of the pole and the selection of luminaire optics, you can also opt for either anchored installation or with a base.

Anchorage section

Base plate recessed

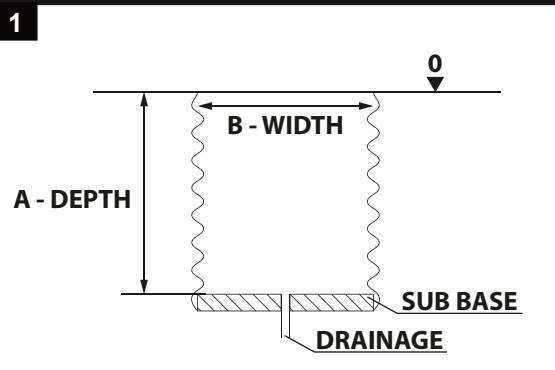


HEAD COMBINATIONS (TOPVIEW) :
(POSSIBLE WITH 4 TYPES OF POLE)



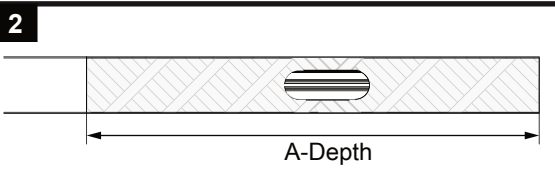
INSTALLATION POLE WITH ANCHORAGE SECTION

- Anchorage length is applied to the particular length of the pole (4m→800 mm /6m→1000 mm).
- The size of the foundations depends on the topography, condition of the soil and the wind load and must be determined on site. The norms DIN EN 50 341 and DIN 1405 apply. The above exemplary recommendation for a foundation is only applicable for a stable subgrade and for maximum 4 luminaires and a wind speed of 32m/s. Typical foundation details are provided for guidance only and should be checked with the client before use.
- The pole must not permanently have contact with aggressive media, which might corrode the pole.
- Soil and site locations will vary. For this reason it is an imperative to consult with a qualified engineer with knowledge of local soil conditions.
- Cables buried directly in the ground must be marked by cable covers or a suitable marking tape. Cables, conduits and ducts must be buried deep enough to avoid damage from any reasonable foreseeable ground disturbance. If you are in any doubt, refer to national and local guidelines or standards.
- Where paving or other surfacing is to be applied around the pole, the top level of the concrete may be lowered by the thickness of this surfacing.



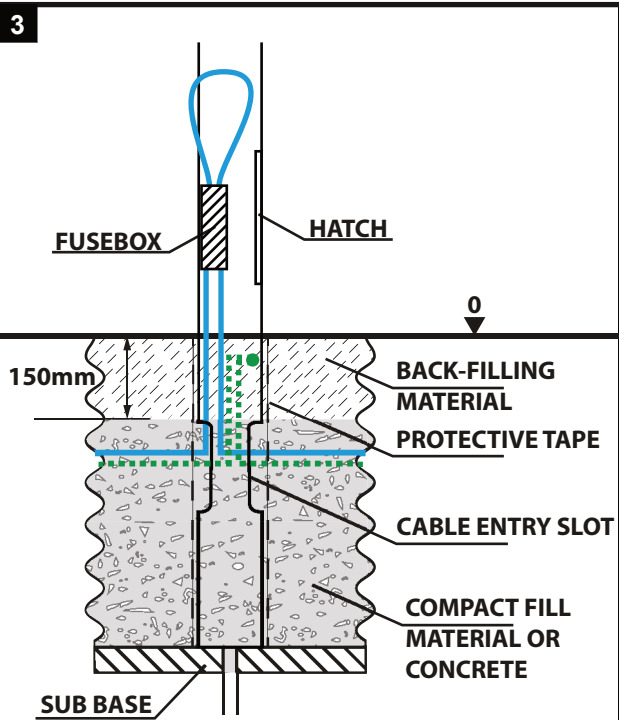
- Make the suitable excavated hole in undisturbed ground.

	Pole 4m	Pole 6m
A-Depth	800 mm	1000 mm
B-Width	500x500 mm	600 x 600 mm



- Attach the protective tape around the pole.

	Pole 4m	Pole 6m
A-Depth	800 mm	1000 mm



- Lead underground cable into the pole through the lateral cable entry slot.
- For the electrical connection a cable length of approx 1.5m above mounting surface must be left.
- Set pole in stable foundation.



- Assembling of the luminaires on the pole and wiring is done on the ground before erection. It is not recommended to erect poles without the luminaires !!



- Cables buried directly in the ground must be marked by cable covers or a suitable marking tape. Cables, conduits and ducts must be buried deep enough to avoid damage from any reasonable foreseeable ground disturbance. If you are in any doubt, refer to national and local guidelines or standards.

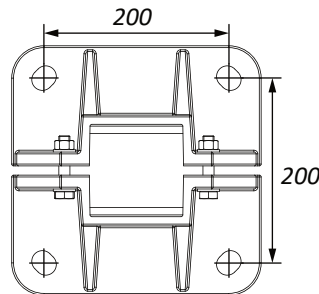
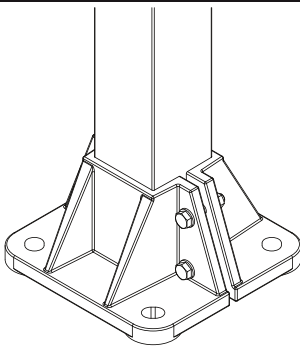


- Add back-filling material in the foundation hole. The back-filling material is to be placed in 150 mm thick layers and be well compacted. During compaction, care is to be taken to ensure that the corrosion protection system of the lighting pole is not damaged.

INSTALLATION POLE WITH BASE PLATE RECESSED

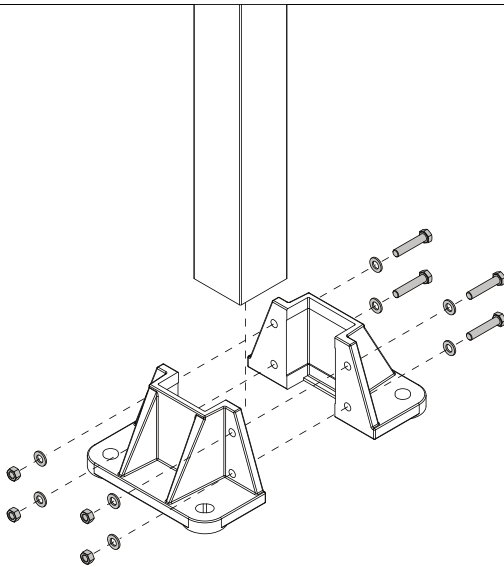
- Preassemble the 2p clamped baseplate, that is delivered with the pole before mounting to "PLATE 11"
- Only use the anchor bolts and nuts (PLATE 11) supplied by DeltaLight.
- The base plates have reinforcement ribs to accommodate the overturning moments (forces) due to the height.
- The base plate of the pole is recessed to the ground level (O). There is extra +-200 mm pole length. This means you have 200 mm height for paving or other surfacing.
- The size of the foundations depends on the topography, condition of the soil and the wind load and must be determined on site. The norms DIN EN 50 341 and DIN 1405 apply. The above exemplary recommendation for a foundation is only applicable for a stable subgrade and for maximum 4 luminaires and a wind speed of 32 m/s. Typical foundation details are provided for guidance only and should be checked with the client before use.
- The pole must not permanently have contact with aggressive media, which might corrode the pole.
- Soil and site locations will vary. For this reason it is an imperative to consult with a qualified engineer with knowledge of local soil conditions.
- Cables buried directly in the ground must be marked by cable covers or a suitable marking tape. Cables, conduits and ducts must be buried deep enough to avoid damage from any reasonable foreseeable ground disturbance. If you are in any doubt, refer to national and local guidelines or standards.

1



• Prepare POLE

- The clamped baseplate is composed of a firm galvanized steel plate (conforms to the same bolt dimensions of the base plate of the pole) and 4 anchor bolts with all the needed washers and nuts.
- Assemble the plate according to the drawing. Make sure the bolts are put together accurately and fixed rigidly so it won't be displaced or misaligned during mounting.



1

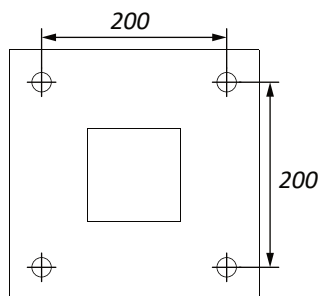
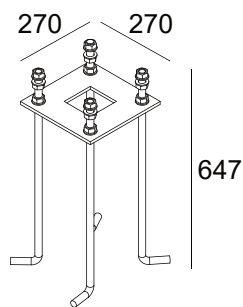
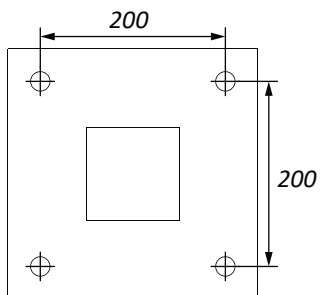
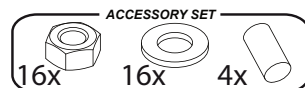
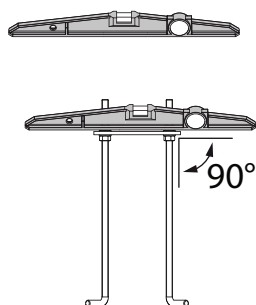


PLATE 11
229 02 11

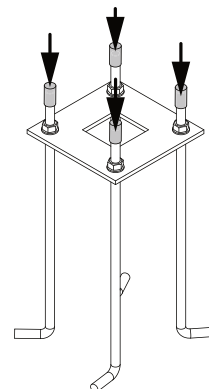


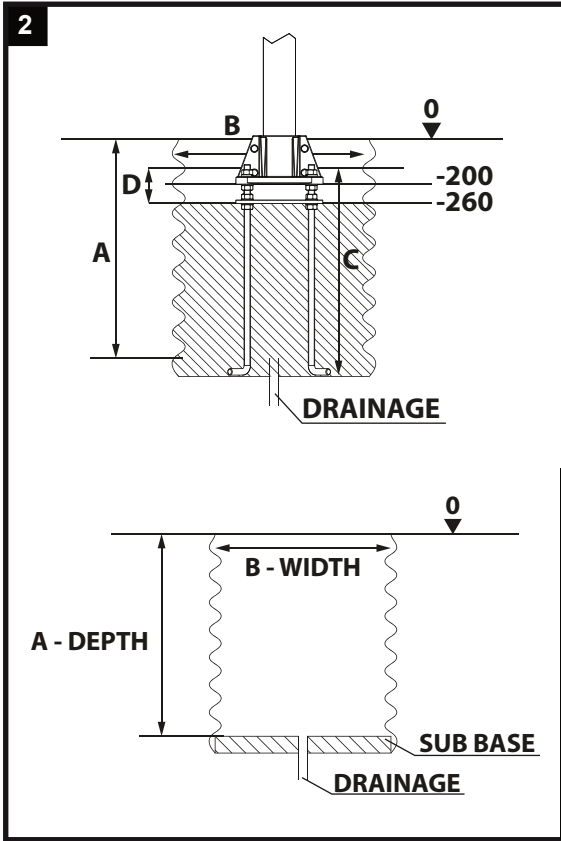
• Prepare PLATE 11

- Bolt holes in the base plates of the poles have a square bolt dimension of 200 mm. See Bolt Center Dimension on the drawing.
- The PLATE 11 is composed of a firm galvanized steel plate (conforms to the same bolt dimensions of the base plate of the pole) and 4 anchor bolts with all the needed washers and nuts.
- Assemble the plate according to the drawing. Make sure the foundation bolt is put together accurately with bolts vertical and fixed rigidly so it won't be displaced or misaligned during concreting.



- Protect the top parts of the anchor bolts with tape so that the thread of the rods still can be used during installation of the pole



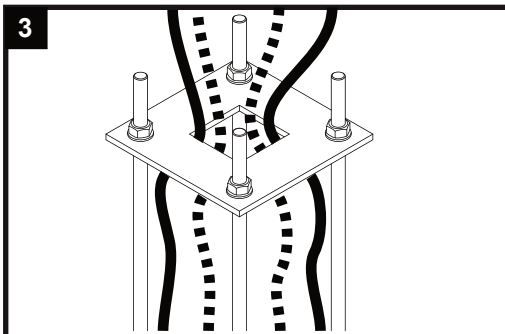


Cross section

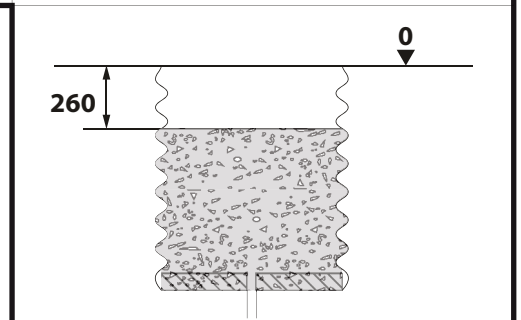
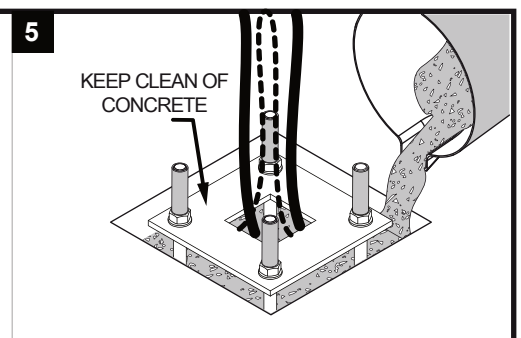
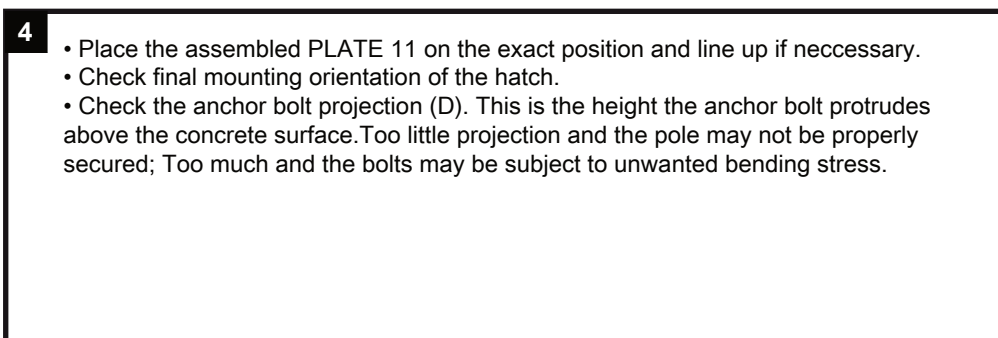
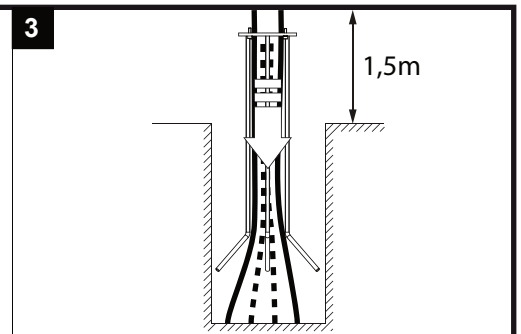
	Pole 4 m	Pole 6 m
A- Depth	800 mm	800 mm
B- Width	500x500 mm	600 x 600 mm
C- Anchor Length	645 mm	645 mm
D- Bolt Projection	110 mm	110 mm
Torque value for M20 nuts	60 Nm	60 Nm

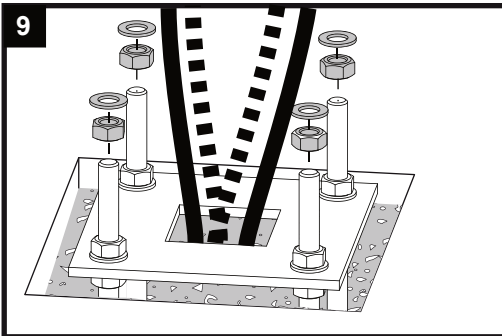
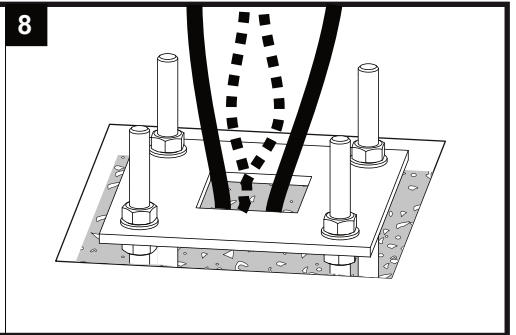
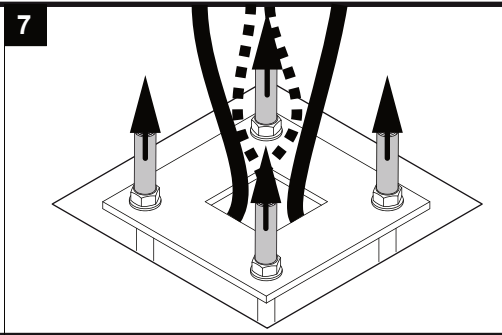
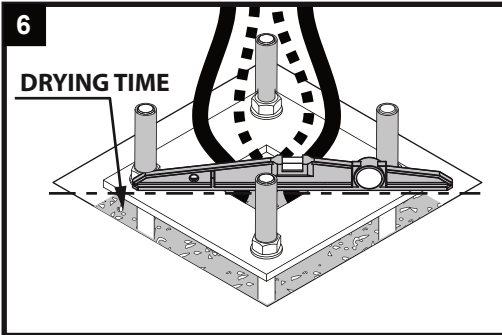
- Make the suitable excavated hole in undisturbed ground.

	Pole 4m	Pole 6m
A-Depth	800 mm	800 mm
B-Width	500x500 mm	600 x 600 mm

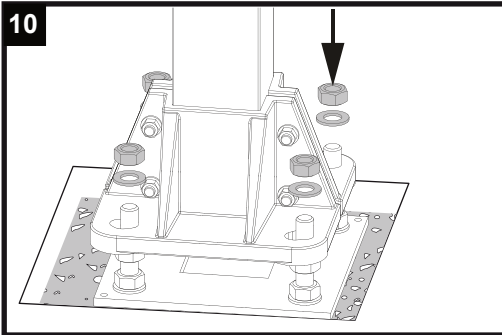


- For the electrical connection a cable length of approx. 1.5m above mounting surface must be left

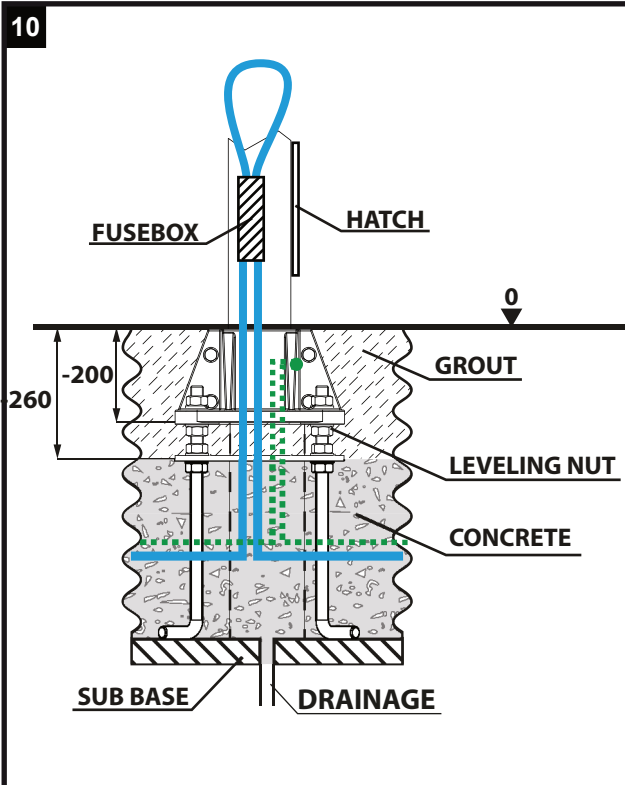




- Install one nut (with washer) on each anchor bolt.
- The nut must be screwed down on the thread to the top of the base plate and be checked using a hand level to ensure that the top surfaces of the 4 nuts are the same height.



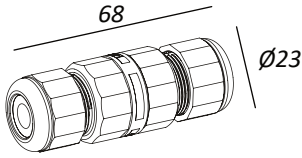
- Install the pole with its base plate holes over the bolts. install the second nut (with washer) screwed down to the base plate of the pole



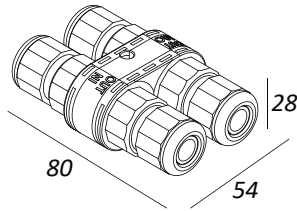
- ⚠ • When erecting the pole, it should be 'plumb' (perfectly vertical). This can be accomplished easily with the leveling nuts and washers provided. An accurate level is recommended for this operation.
- ⚠ • The anchor bolts nuts must be tightened to the torque value as listed in the table. A torque wrench is required for this operation.
- ⚠ • If required, please add grout to fill the gap between pole base plate and the concrete foundation. Avoid large spaces between the pole base plate and the concrete because this can cause excessive stresses in the anchor.
- ⚠ • If preparing the power cords, use tyrap cords with a anchorage of 150N

ELECTRICAL CONNECTION

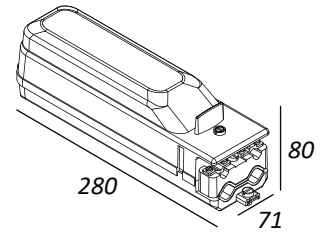
1 IP68 CONNECTOR 3P
216 12 02



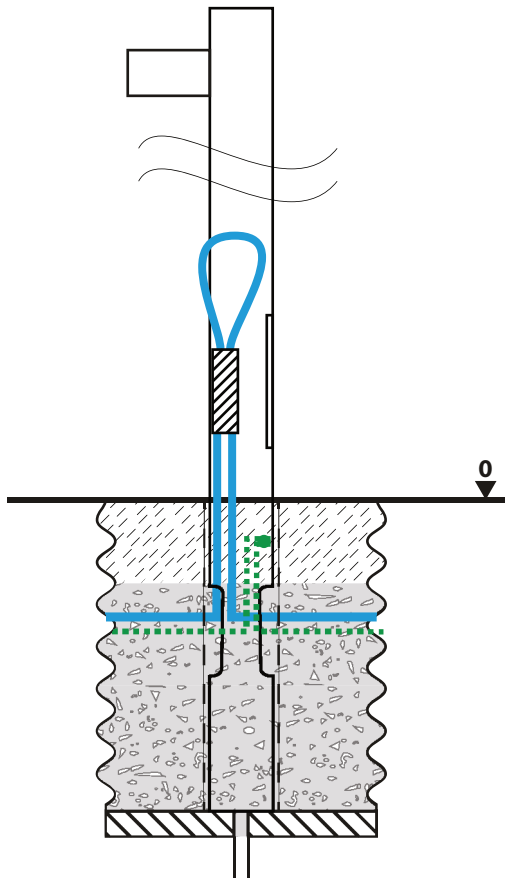
2 IP68 JUNCTION BOX
431 99 02



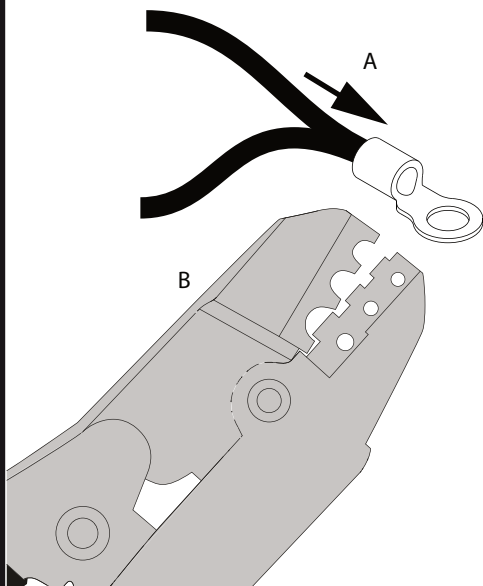
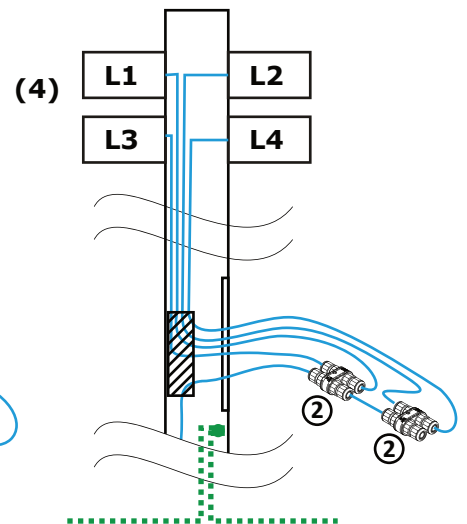
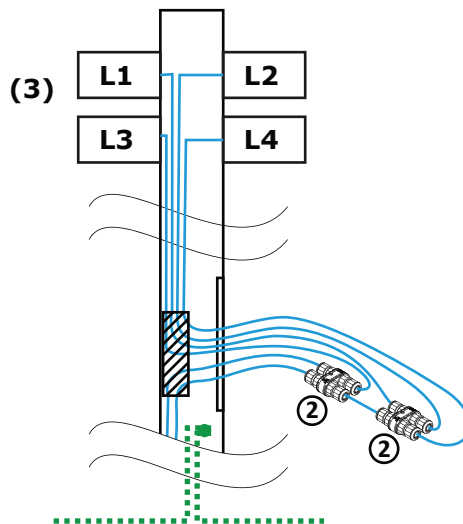
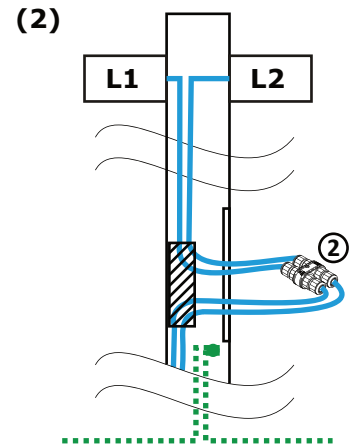
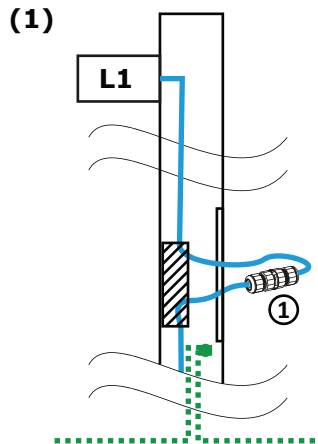
3 POLESANO FUSE BOX
431 99 01



1 - ELECTRICAL CONNECTION WITHOUT FUSE BOX

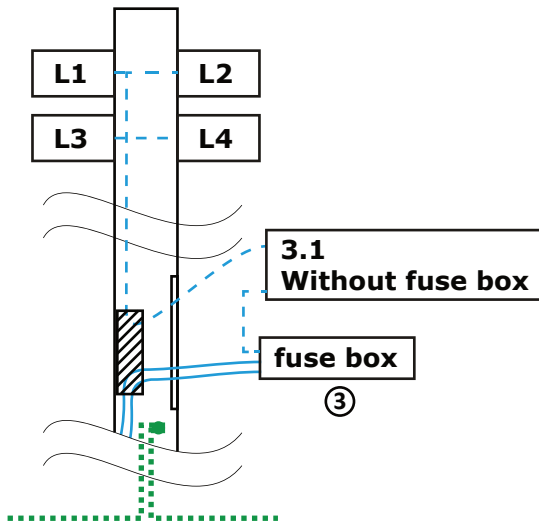


- The cable must be short-circuit and overload protected outside the pole, according to national and local requirements.
- Use 216 12 02 - IP68 CONNECTOR 3P for single head connector (1)
- Use 431 99 02 - IP54 JUNCTION BOX for looping-in and the connector of two heads (2)
- Use two 431 99 02 - IP54 JUNCTION BOX for three or four head and looping-in (3) or for four heads without looping-in (4)
- Only for preinstalled cable of max 1mm²



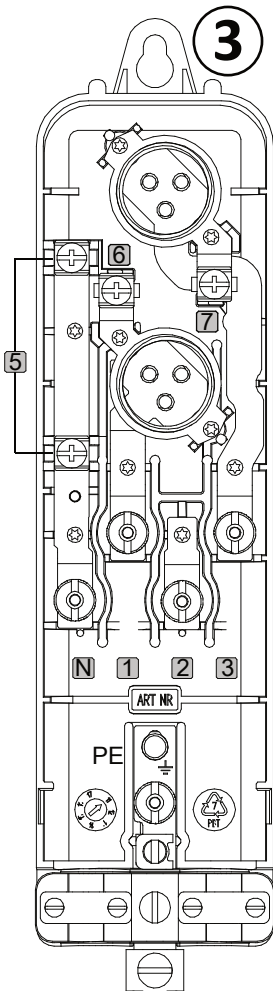
2 - ELECTRICAL CONNECTION WITH FUSE BOX

• For MAX. two phases, fused



Environmental conditions	
Environmental temperature:	-5°C to +55°C
Relative humidity:	5% - 85%, not condensed
Degree of protection:	IP23
Installation class:	I (grounding system)
Pollution intensity:	2
Application conditions	
U _{max} :	230/400V
Frequentie:	50Hz
I _{max} :	50A (loop through)
I _{max} to armature:	6A / Fuse
Fuses:	2X DII (E27), Max 6A (Per piece)
Strain relief:	Yes, Max. 2 groundcables of 23mm and 2 outgoing cables
Maximal connection area and torque:	Clamp N, 1, 2, 3, PE: 2x 10mm ² or 3x 6mm ² , 2-4Nm
Diameter Ø:	Ø94mm
Height:	279,5mm
Storage	
Temperature:	-20°C to +70°C
Relative humidity:	5% - 85%, not condensed
Certification	KEMA-certification

3



INCOMING CONNECTOR

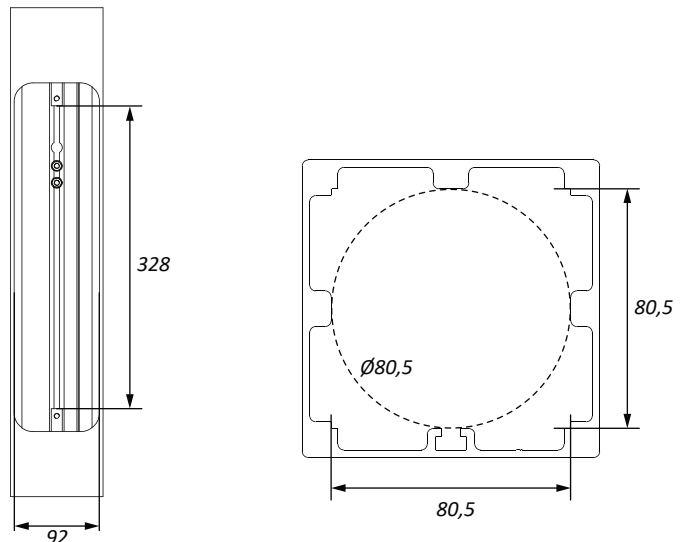
- N = Neutral
- PE = Protection Earth
- 1 = Phase L1
- 2 = Phase L2
- 3 = Phase L3

FUSED CONNECTOR TO LED HEAD

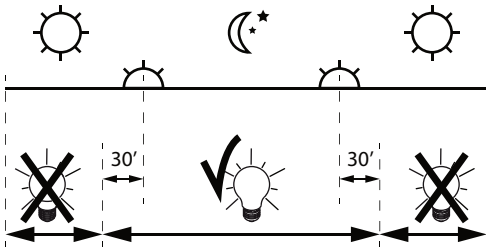
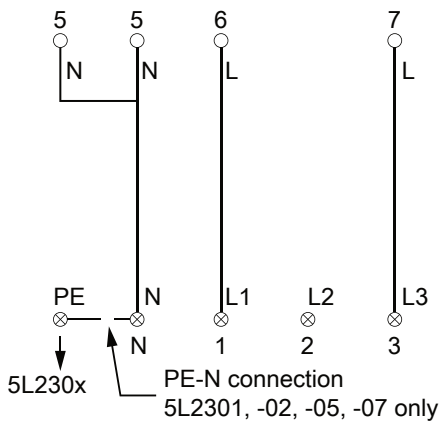
- 5 = Neutral
- 6 = Fused L1
- 7 = Fused L3

N, PE, 1, 2 and 3 can be used for looping-in

• Fusebox opening and mounting dimensions



Wiring scheme



Dagelijkse ontstekingsperiode toegestaan
 Durée quotidienne d'allumage admissible
 Erlaubte tägliche einschaltdauer
 Allowed daily operation period
 Period giornaliero di accensione ammesso
 Periodo diario de encendido permitido



CAUTION! CLEAN AT LEAST
 QUARTERLY WITH WATER AND
 NON-ABRASIVE CLOTH