

Enkel geschikt voor toestellen op zeer lage spanning (minder dan 50 V-AC / 120 V-DC)
 Convient uniquement pour les produits à très basse tension (moins de 50 V-AC / 120 V-DC)
 Geeignet für Güter mit sehr niedriger Spannung (unter 50 V-AC / 120 V-DC)
 Only suited for goods at very low voltage (below 50 V-AC / 120 V-DC)
 Se recomienda únicamente para aquellos productos de tensión muy baja (menos de 50 V-AC / 120 V-DC)
 Vale unicamente per i prodotti a tensione molto bassa (inferiore a 50 V-AC / 120 V-DC)

IP20
 Beschermd tegen vaste voorwerpen die groter zijn dan 12 mm
 Protégé contre les objets solides de plus de 12 mm
 Geschützt gegen Festkörper größer als 12 mm
 Protected against solid objects greater than 12 mm
 Protegido contra objetos sólidos superiores a 12 mm
 Protetto contro oggetti solidi più grandi di 12 mm

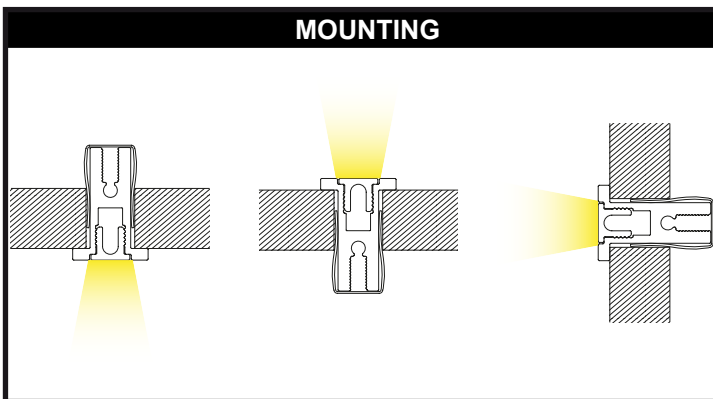
TAGLINE ST - PROFILE

TGL-ST - PROFILE
 425 05 00 00

19,5

13

ACCESSORY SET
 2X



TAGLINE ST - PROFILE

DEEL
 PARTIE
 TEIL
 PART
 PARTE
 PARTE

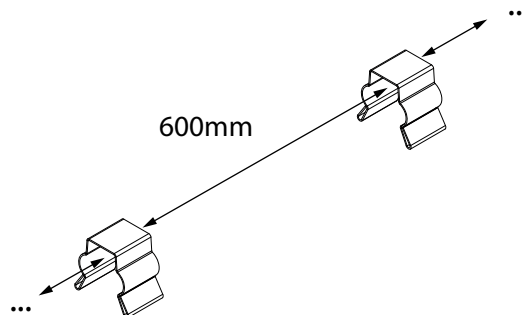
A

TGL ST - INSTALLATION

REQUIREMENTS

TGL-ST - FIXATION SET

425 05 14 01



1

9 x (L + 4)

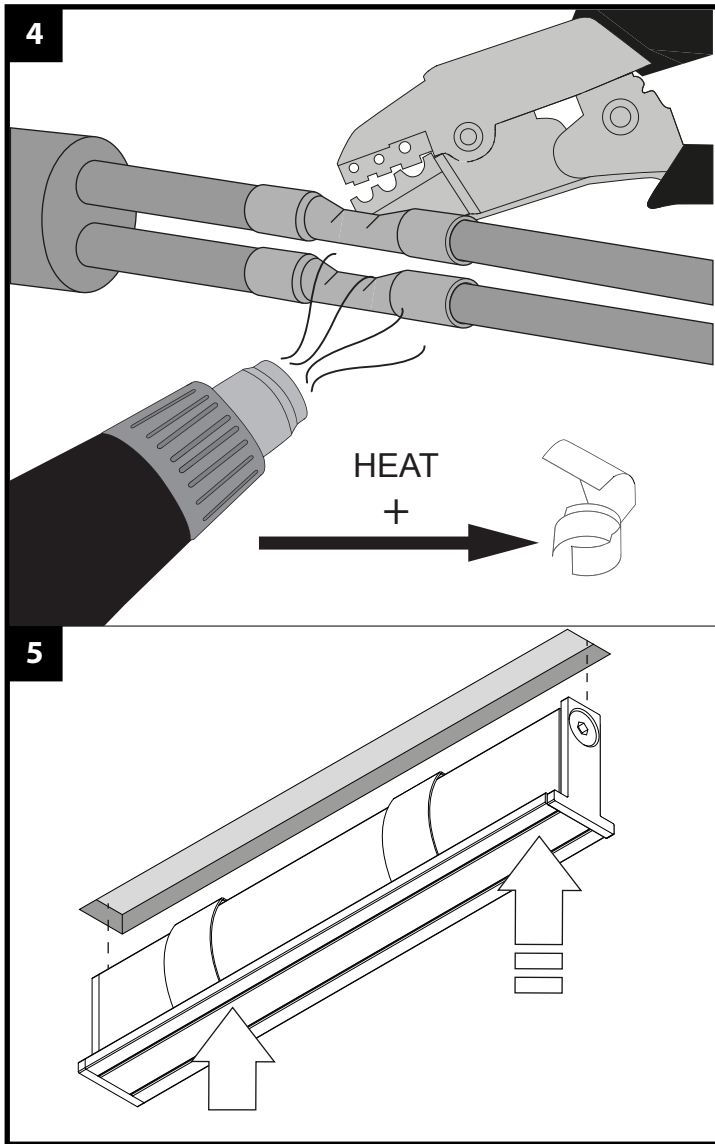
MAX. 12,5


ACCESSORY SET
 2X

2

+/-8mm

3



LEDFLEX  5m - 24V-DC 0,3	
WHITE	
Dividable per 29,4mm 238 smd LED/m	
8,5W/m 820lm/m *	
CRI > 90	
4000 K	IN LEDFLEX IN SMALL 940 300 91 51 94
3000 K	IN LEDFLEX IN SMALL 930 300 91 51 93
2700 K	IN LEDFLEX IN SMALL 927 300 91 51 92

FULL INFO / PAG TEC

LED POWER SUPPLY 24V-DC / 20W 300 89 24 20 OPTIONS 24V-DC / 4A DIM UNIT	max.2,35m (1,18m / 110V)
LED POWER SUPPLY 24V-DC / 40W 300 89 24 40 OPTIONS 24V-DC / 4A DIM UNIT	max.4,71m
LED POWER SUPPLY 24V-DC / 60W 300 89 24 60 OPTIONS 24V-DC / 4A DIM UNIT	max.7,06m (max.5m / Powerline)
LED POWER SUPPLY 24V-DC / 80W DIM1 300 89 24 80 ED1	max.9,41m (max.5m / Powerline)
LED POWER SUPPLY 24V-DC / 150W 300 89 24 150 OPTIONS 24V-DC / 4A DIM UNIT	max.17,65m (max.5m / Powerline)
LED POWER SUPPLY MULTI POWER DIM7 300 90 60	max.2,35m (1,76m / 110V)
LED POWER SUPPLY MULTI POWER DIM6 300 90 61	max.2,35m

DIM1: dimming by 1-10V
 DIM6: dimming by push button / falling edge dimmer
 DIM7: dimming by push button / 1-10V

*+/- 5%