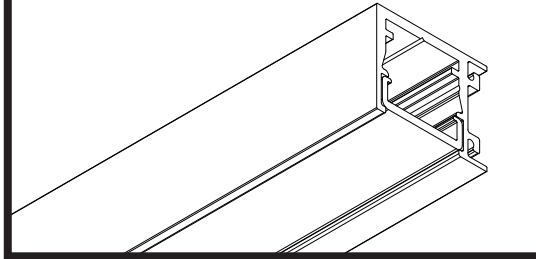


5 FEMTOLINE W - LEDSTRIP POWER SUPPLY COMBINATIONS

Ledstrip White	Ledstrip Warm White	Ledstrip RGB	
LEDSTRIP WHITE 11 300 91 10 11  L : 500mm 30 x SMD LED - 5400K 3W / LEDSTRIP DIVIDABLE PER 100mm 24V-DC [0.1]	LEDSTRIP WHITE 11 WW 300 91 10 11 WW  LEDSTRIP WHITE 11 F WW 300 91 10 11 F WW (1)  L : 500mm 30 x SMD LED - 3000K 3W / LEDSTRIP DIVIDABLE PER 100mm 24V-DC [0.1]	LEDSTRIP RGB 11 300 91 33 11  L : 500mm 30 x SMD LED - RGB 7,5W / LEDSTRIP DIVIDABLE PER 100mm 24V-DC [0.1]	
LED POWER SUPPLY 24V-DC / 13W 300 89 24 13	max.4 x Ledstrip White 11	max.4 x Ledstrip White 11 WW	◊ max.1 x Ledstrip RGB 11
LED POWER SUPPLY 24V-DC / 20W 300 89 24 20	max.6 x Ledstrip White 11	max.6 x Ledstrip White 11 WW	◊ max.2 x Ledstrip RGB 11
LED POWER SUPPLY 24V-DC / 40W 300 89 24 40	max.13 x Ledstrip White 11	max.13 x Ledstrip White 11 WW	◊ max.5 x Ledstrip RGB 11
LED POWER SUPPLY 24V-DC / 60W 300 89 24 60	max.20 x Ledstrip White 11	max.20 x Ledstrip White 11 WW	◊ max.7 x Ledstrip RGB 11
LED POWER SUPPLY 24V-DC / 150W 300 89 24 150	max.50 x Ledstrip White 11	max.50 x Ledstrip White 11 WW	◊ max.18 x Ledstrip RGB 11
(2) LED POWER SUPPLY MULTI POWER DIM7 300 90 60	max.6 x Ledstrip White 11	max.6 x Ledstrip White 11 WW	
(3) LED POWER SUPPLY MULTI POWER DIM6 300 90 61	max.6 x Ledstrip White 11	max.6 x Ledstrip White 11 WW	
RGB DRIVER 12/24V-DC 75/150W 300 90 331			◊ use in combination with Led Power Supply 24V-DC
RGB TOUCH CONTROLLER DMX 300 90 330			◊ use in combination with RGB Driver 12/24V-DC 75/150W
RGB CONTROLLER 12/24V-DC 75/150W DUAL MODE 300 89 33 1224			◊ use in combination with Led Power Supply 24V-DC



FTLW - PROFILE



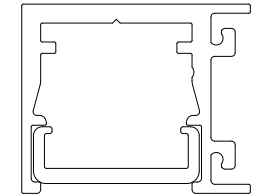
DEEL
PARTIE
TEIL
PART
PARTE



DELTA LIGHT
 Delta Light® nv.
 Muizelstraat 2
 B- 8560 Wevelgem (Moorsele)
 Belgium
 Phone: +32(0)56 435 735
 Fax: +32(0)56 435 736
 E-mail: info@deltalight.com
 www.deltalight.com

30

25



FTLW - PROFILE CL ◊

366 00 00 CL ◊

◊ = ANO

INCL. Femtoline- PC CLEAR

MAX. L / PROFILE: 6m

± 1,1 Kg/m

FTLW - PROFILE SBL ◊

366 00 00 SBL ◊

◊ = ANO

INCL. Femtoline - PC SBL

MAX. L / PROFILE: 6m

± 1,1 Kg/m

6 FEMTOLINE W - LEDFLEX POWER SUPPLY COMBINATIONS

Ledflex White	Ledflex Warm White	Ledflex RGB	
LEDFLEX IN 300 91 52 01  L : 5m 60 x SMD LED / m - 6500K 5W / m DIVIDABLE PER 100mm 24V-DC [0.2]	LEDFLEX IN WW 300 91 52 02  L : 5m 60 x SMD LED / m - 3000K 5W / m DIVIDABLE PER 100mm 24V-DC [0.2]	LEDFLEX IN RGB 300 91 52 33  L : 5m 30 x SMD LED / m - RGB 8W / m DIVIDABLE PER 160mm 24V-DC [0.2]	
LEDFLEX OUT 300 91 62 01  L : 5m 60 x SMD LED / m - 6500K 5W / m DIVIDABLE PER 100mm 24V-DC [0.3] IP65	LEDFLEX OUT WW 300 91 62 02  L : 5m 60 x SMD LED / m - 3000K 5W / m DIVIDABLE PER 100mm 24V-DC [0.3] IP65	LEDFLEX OUT RGB 300 91 62 33  L : 5m 30 x SMD LED / m - RGB 8W / m DIVIDABLE PER 160mm 24V-DC [0.3] IP65	
LED POWER SUPPLY 24V-DC / 13W 300 89 24 13	max.2,6 m Ledstrip Ledflex In / Ledflex Out	max.2,6 m Ledstrip Ledflex In / Ledflex Out	◊ max.1,6 m Ledflex In RGB / Ledflex Out RGB
LED POWER SUPPLY 24V-DC / 20W 300 89 24 20	max.4 m Ledstrip In / Ledflex Out	max.4 m Ledstrip Ledflex In / Ledflex Out	◊ max.2,4 m Ledflex In RGB / Ledflex Out RGB
LED POWER SUPPLY 24V-DC / 40W 300 89 24 40	max.8 m Ledstrip In / Ledflex Out	max.8 m Ledstrip Ledflex In / Ledflex Out	◊ max.5 m Ledflex In RGB / Ledflex Out RGB
LED POWER SUPPLY 24V-DC / 60W 300 89 24 60	max.12 m Ledstrip In / Ledflex Out	max.12 m Ledstrip Ledflex In / Ledflex Out	◊ max.7,36 m Ledflex In RGB / Ledflex Out RGB
LED POWER SUPPLY 24V-DC / 150W 300 89 24 150	max.30 m Ledstrip In / Ledflex Out	max.30 m Ledstrip Ledflex In / Ledflex Out	◊ max.18,72 m Ledflex In RGB / Ledflex Out RGB
(2) LED POWER SUPPLY MULTI POWER DIM7 300 90 60	max.4 m Ledstrip In / Ledflex Out	max.4 m Ledstrip Ledflex In / Ledflex Out	
(3) LED POWER SUPPLY MULTI POWER DIM6 300 90 61	max.4 m Ledstrip In / Ledflex Out	max.4 m Ledstrip Ledflex In / Ledflex Out	
RGB DRIVER 300 90 331			◊ use in combination with Led Power Supply 24V-DC
RGB TOUCH CONTROLLER DMX 300 90 330			◊ use in combination with RGB Driver
RGB CONTROLLER 12/24V-DC 75/150W DUAL MODE 300 89 33 1224			◊ use in combination with Led Power Supply 24V-DC



Bevestiging plafond opbouw
 Montage plafond appliqué
 Montage decke aufgebaut
 Fixation ceiling surface mounted
 Montaje techo montado al superficie
 Montaggio soffitto montato a superficie



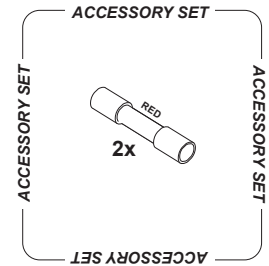
Bevestiging wand opbouw
 Montage mur appliqué
 Montage wand aufgebaut
 Fixation wall surface mounted
 Montaje pared montado al superficie
 Montaggio parete montato a superficie



Geschikt voor binnen- en buitengebruik, rekening houdend met opgegeven IP-waarden
 Convient a usage intérieur et extérieur, prenant en compte l'IP indiquée
 Eignet sich für innen- und aussenbereich, unter Berücksichtigung des angezeigten IP
 Suitable for indoor and outdoor use, taking the indicated IP rating into consideration
 Apto para uso interior y exterior en conformidad con el nivel IP indicado
 Per utilizzo sia in interni che da esterni, da installare tenendo conto del suo grado di protezione (IP)



Installeer het armatuur enkel in ruimten waar direct contact met water onmogelijk is.
 Cet équipement doit être installé dans des pièces hors de toute projection d'eau.
 Diese Leuchte darf nur in Räumen verwendet werden, in denen ein direkter Kontakt mit Wasser nicht möglich ist
 This fitting should only be installed in rooms where direct contact with water is impossible
 Este aparato solamente puede ser instalado en habitaciones donde el contacto directo con el agua sea imposible
 Questo apparecchio di illuminazione deve essere installato solamente in locali in cui il contatto con l'acqua è impossibile.

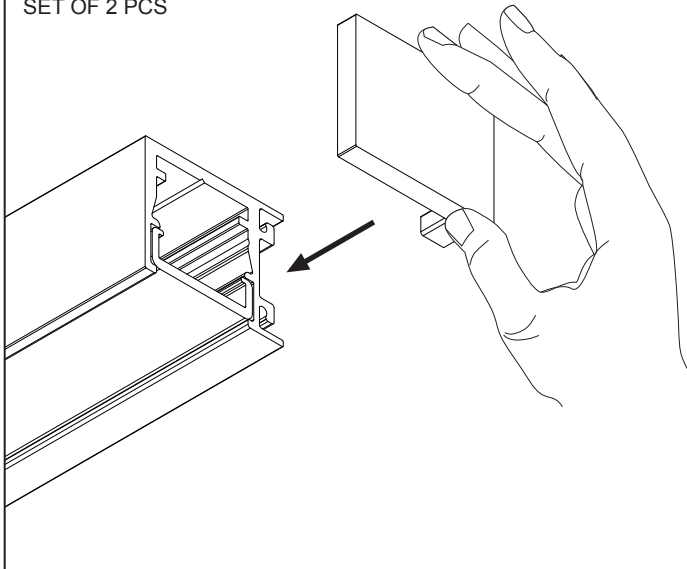


Wijzigingen in ontwerp, technische specificaties en handleiding voorbehouden.
 Sous réserve de modifications au niveau de la conception, des spécifications techniques et de la notice.
 Änderungen von Entwurf, technischen Daten und Bedienungsanleitungen bleiben vorbehalten.

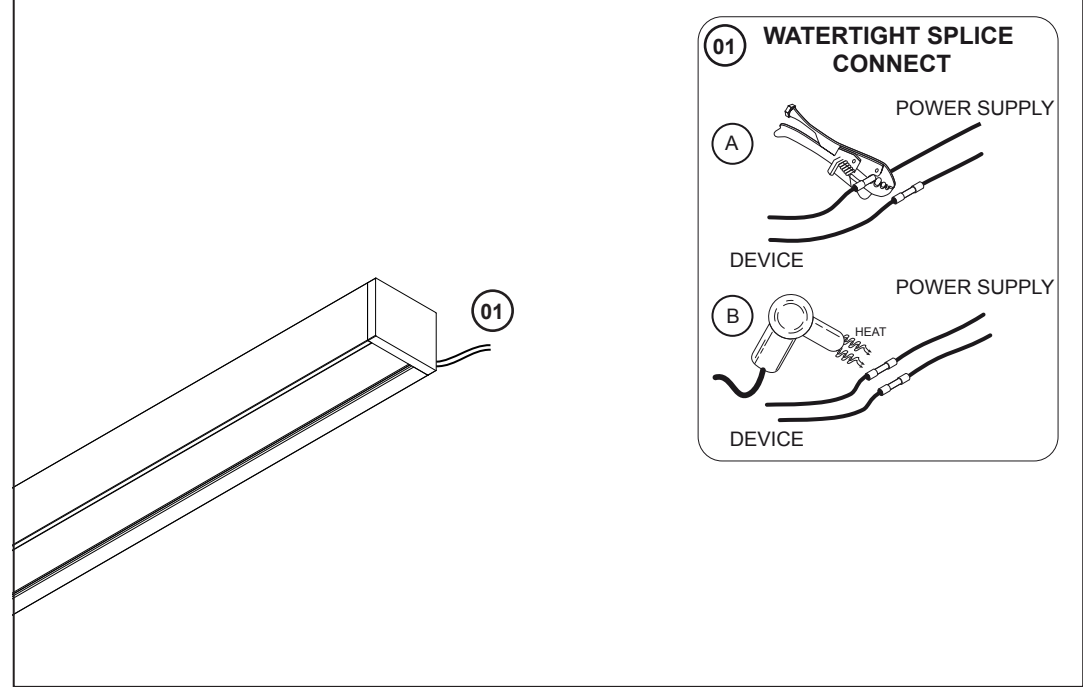
Alterations in design, technical specifications and manuals reserved.
 El fabricante se reserva el derecho de realizar modificaciones en el diseño, las especificaciones técnicas y el folleto.
 Sotto riserva di modifica per quanto riguarda la concezione, le specifiche tecniche e la nota informativa.

1 FEMTOLINE W - END CAP

FTLW - END CAP SET ◊
364 03 01 ◊
◊ = A
SET OF 2 PCS

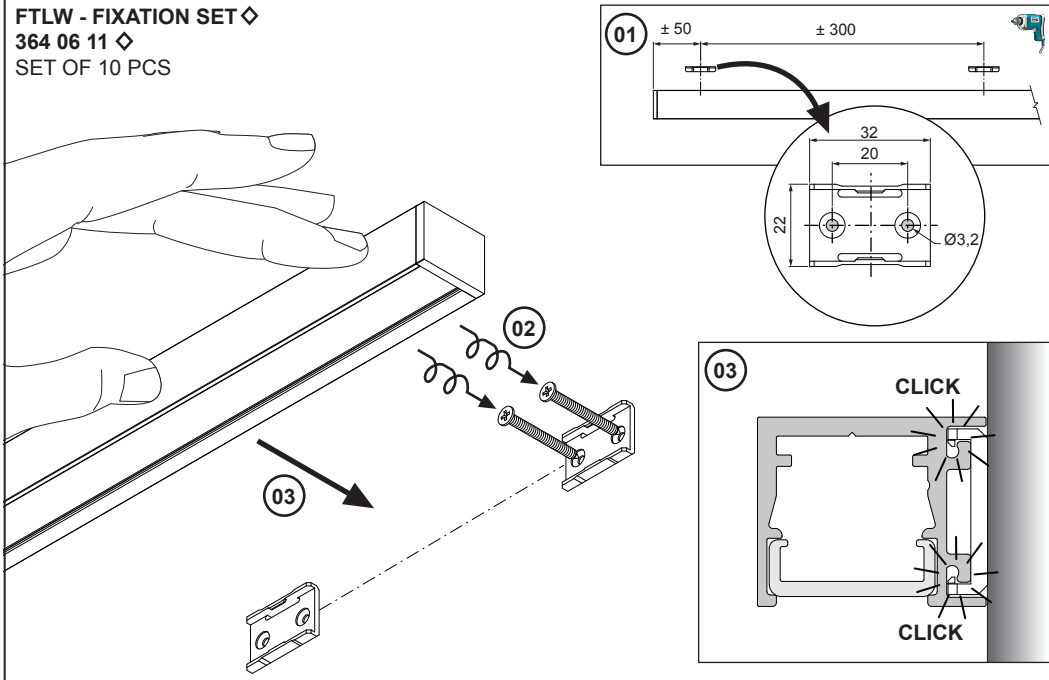


3 FEMTOLINE W - ELECTRICAL CONNECTION



2 FEMTOLINE W - FIXATION

FTLW - FIXATION SET ◊
364 06 11 ◊
SET OF 10 PCS



4 FEMTOLINE W - POSITION FOR INSTALLATION

