

Enkel geschikt voor toestellen op zeer lage spanning (minder dan 50 V-AC / 120 V-DC)  
 Convient uniquement pour les produits à très basse tension (moins de 50 V-AC / 120 V-DC)  
 Geeignet für Güter mit sehr niedriger Spannung (unter 50 V-AC / 120 V-DC)  
 Only suited for goods at very low voltage (below 50 V-AC / 120 V-DC)  
 Se recomienda únicamente para aquellos productos de tensión muy baja (menos de 50 V-AC / 120 V-DC)  
 Vale unicamente per i prodotti a tensione molto bassa (inferiore a 50 V-AC / 120 V-DC)

**Not compatible with Class I devices and not with other companies Class III devices**

**IP20**  
 Beschermtd tegen vaste voorwerpen die groter zijn dan 12 mm  
 Protégé contre les objets solides de plus de 12 mm  
 Geschützt gegen Festkörper größer als 12 mm  
 Protected against solid objects greater than 12 mm  
 Protegido contra objetos sólidos superiores a 12 mm  
 Protetto contro oggetti solidi più grandi di 12 mm

**Install suitable means for overload and short-circuit protection according to local installation requirements. ( IEC 60364-7-715)**

**SLM26L - PROFILE**

**SLM26L - PROFILE 23358 0000**

**48V-DC ( 2 conductors )**  
**MAX. 200W, MAX 50M**  
 2 DIM conductors ( for individual dimming )  
 DALI dimmable luminaires on request

**SLM26L - PROFILE**

DEEL  
 PARTIE  
 TEIL  
 PART  
 PARTE  
 PARTE

# A

**TRACK CUTTING TOOL**

**TRACK CUTTING TOOL 200 12 01**

**USE AFTER EVERY SAW CUT OF THE ALUMINIUM PROFILE**

**SLM26L - PROFILE 1m**  
**SLM26L - PROFILE 2m**  
**SLM26L - PROFILE 3m**

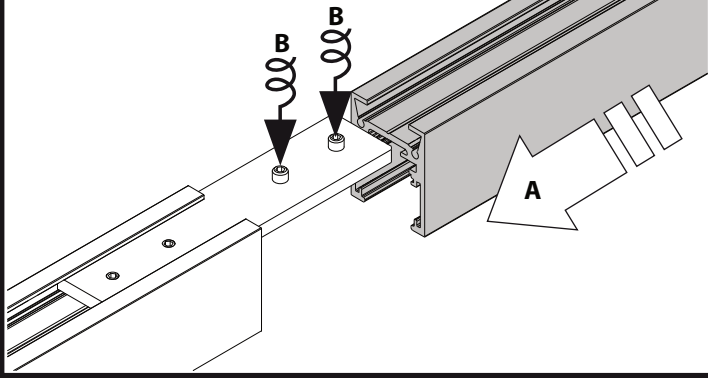
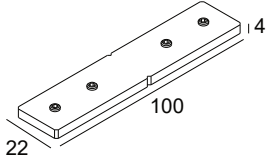
**1**

**4X**

**STEEL**  
**ALUMINIUM**  
**COPPER**  
**PLASTIC**

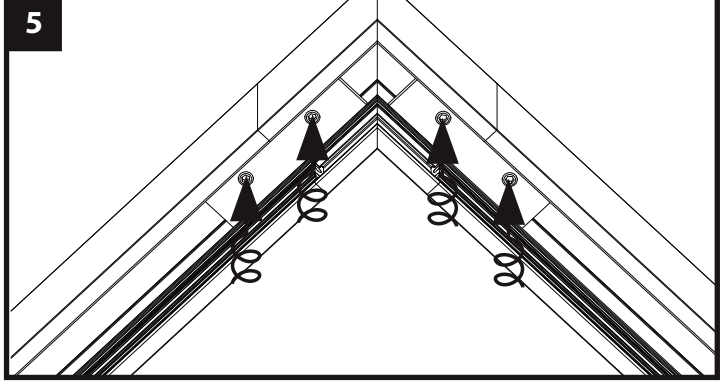
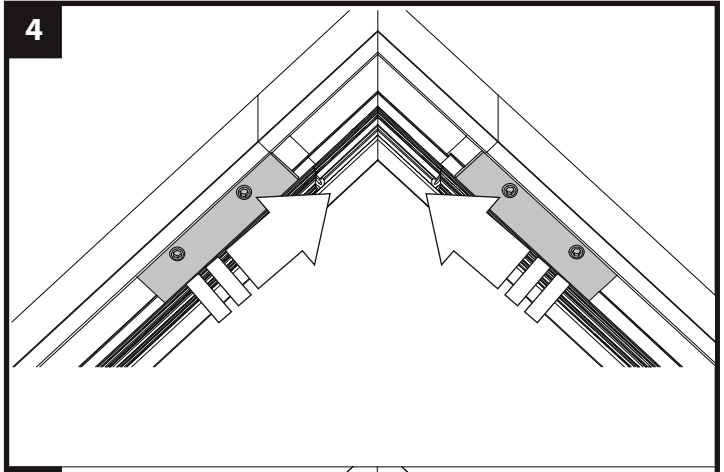
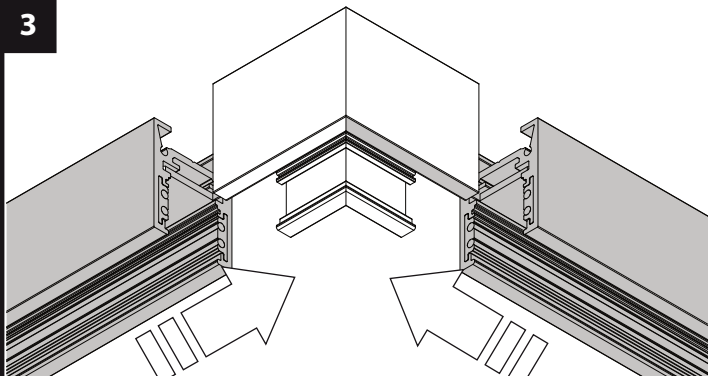
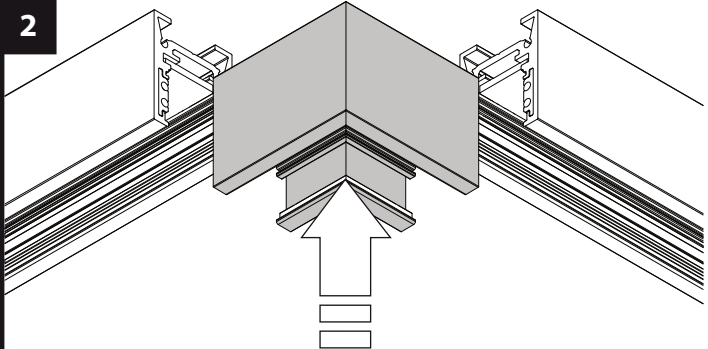
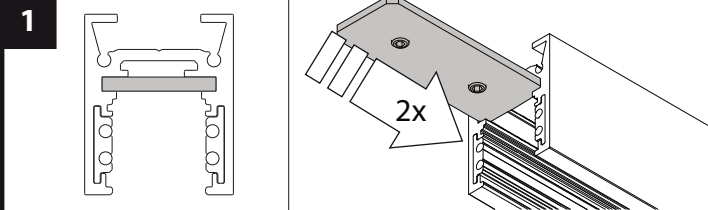
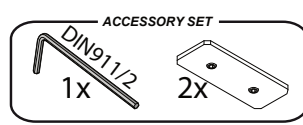
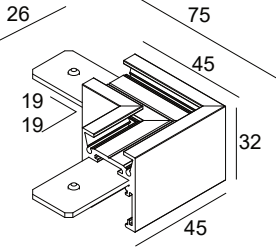
**SLM26L - CORNER 180°**

**SLM26L - CORNER 180°**  
23358 0620



**SLM26L - CORNER 90°**

**SLM26L - CORNER SET 90°**  
23358 9640



**FIXATION**

	<p><b>SLM26L - FIXATION SET</b> 23358 1410</p>
<p><b>!</b> Min. 2x / 1m</p>	

**POSITION FOR INSTALLATION**

STEEL

ALUMINIUM

COPPER

PLASTIC

**NO CHAMFER**

**1**

MAX 1 m

10mm

**2**

**C**

LOCK

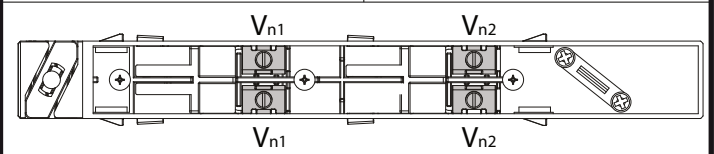
**A**

**B**

**!** IF LOCK NOT ACCESSIBLE,  
FIX BY DRILL & SCREW

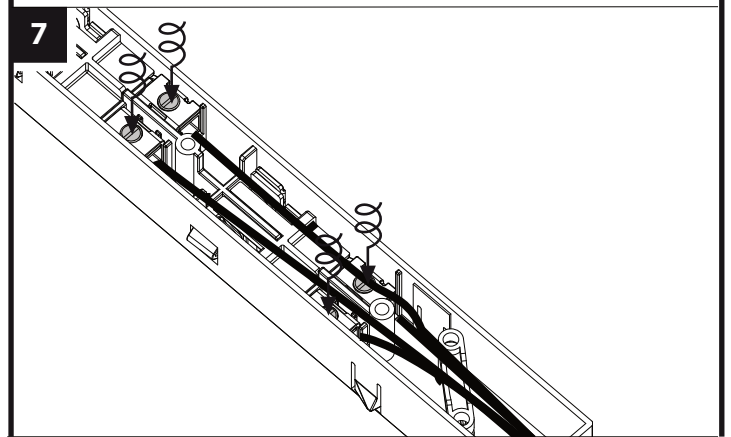
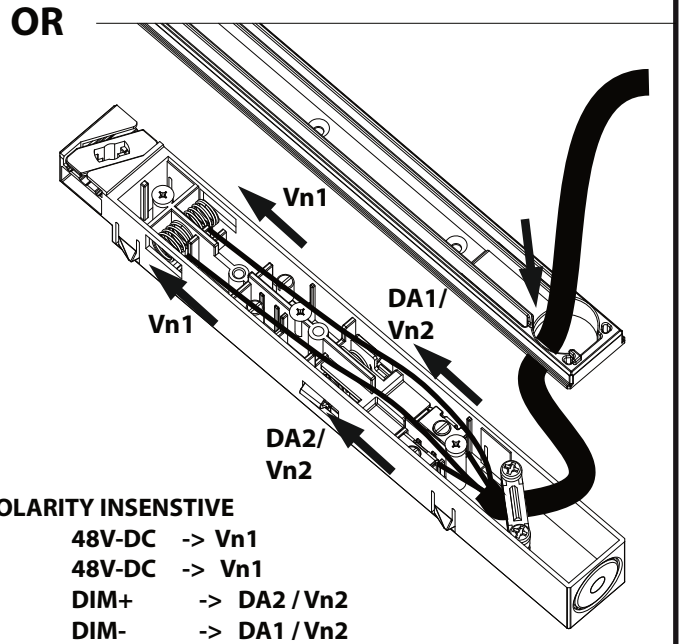
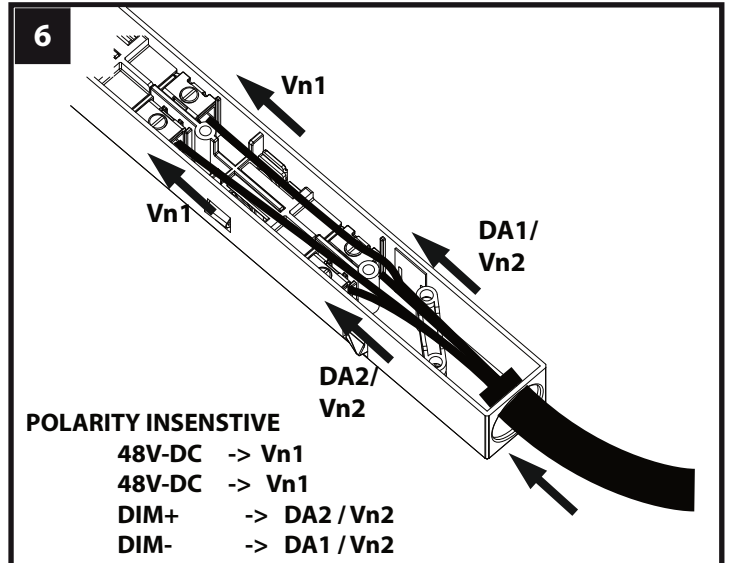
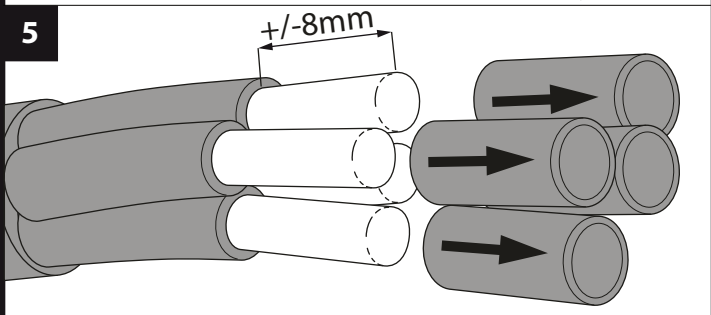
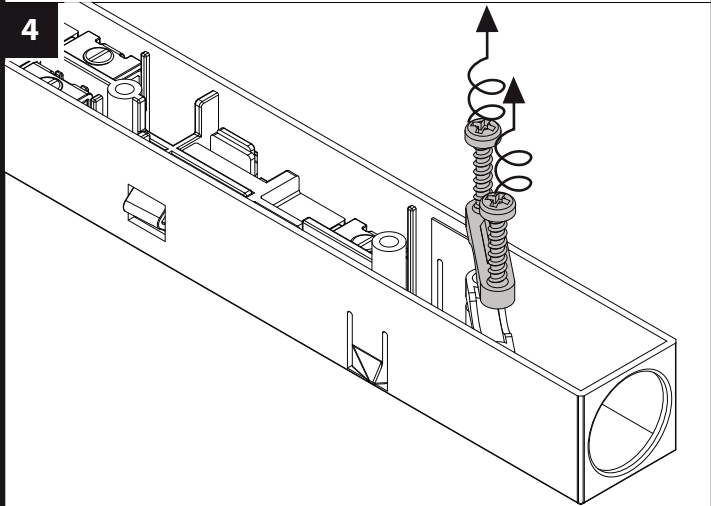
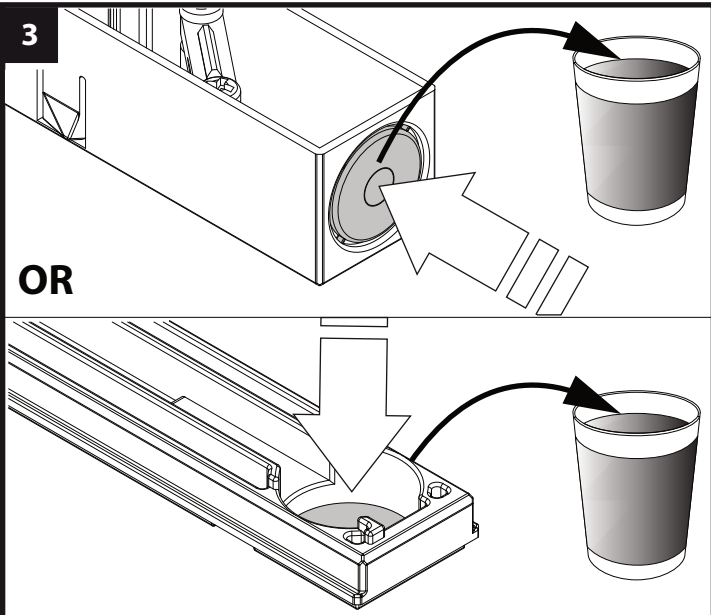
**SPM - SUPPLY 48V**

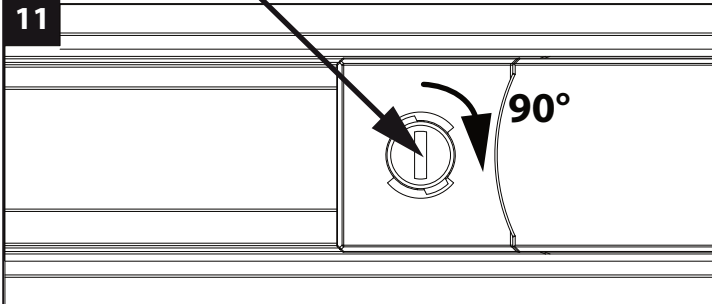
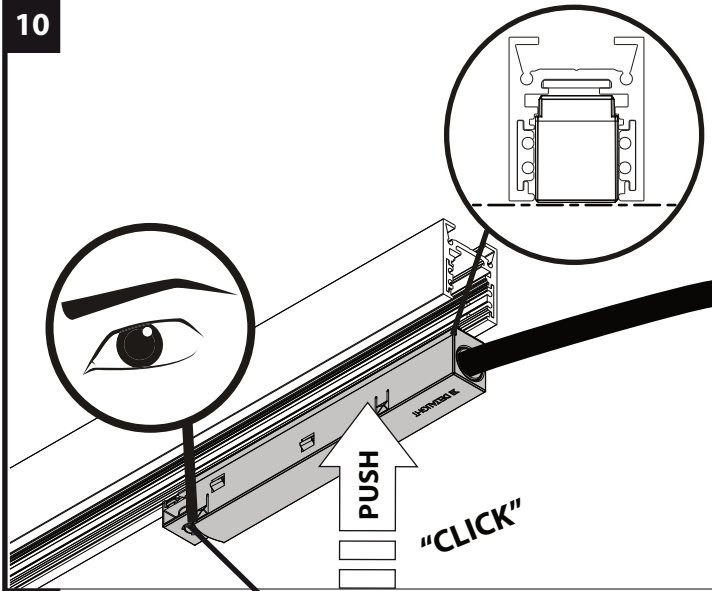
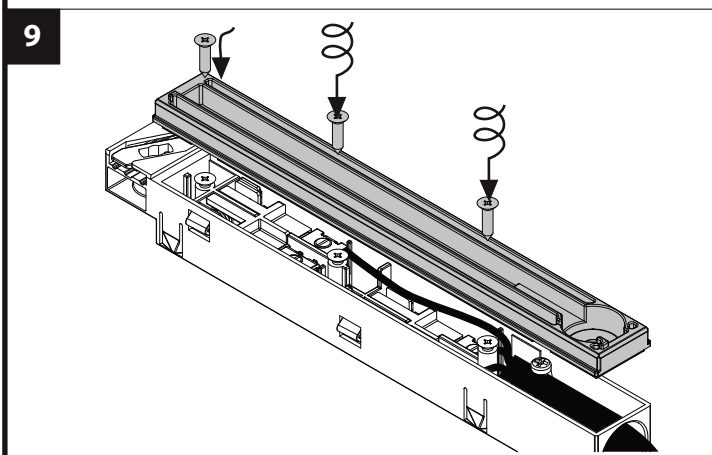
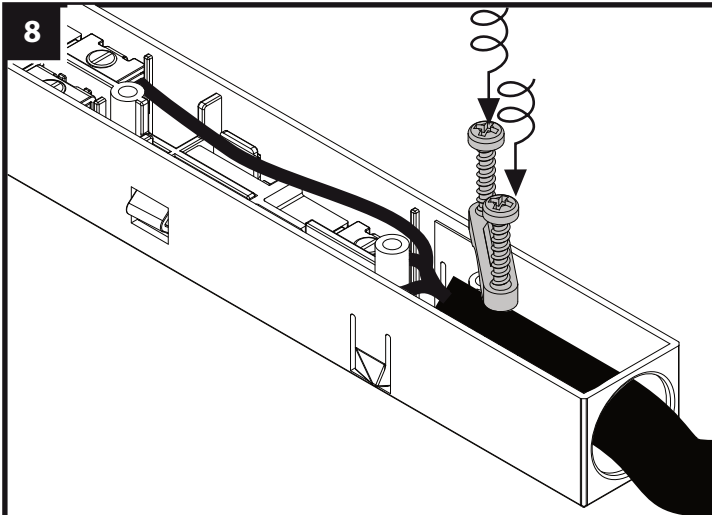
	<p><b>SPM - SUPPLY 48V</b> 420 99 03</p> <p>48V-DC MAX. 200W MAX. 50M</p> <p>Connector should only be connected to SELV Voltage</p> <p>DA1 &amp; DA2 : DALI CHANNELS FOR ED5 MODULES Or 48V-DC CIRCUIT 2</p>
--	--



**1**

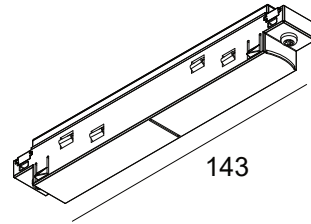
**2**





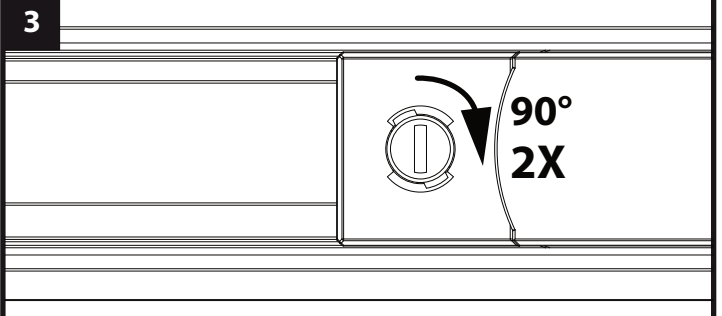
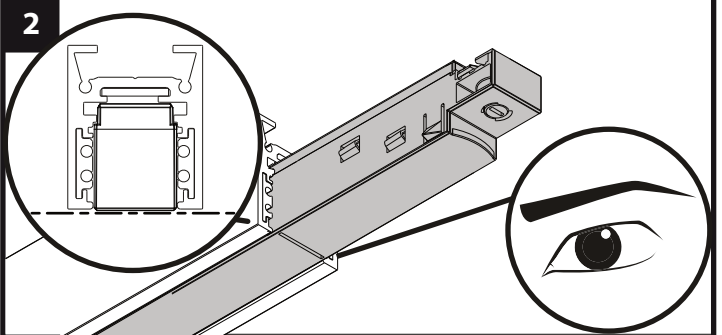
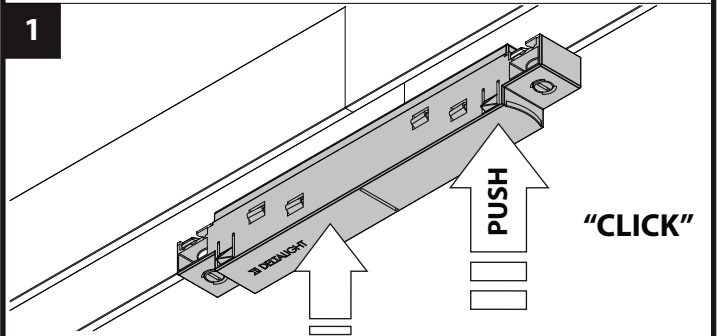
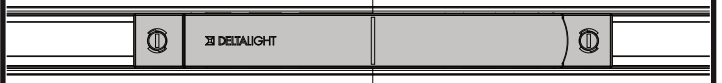
**SPM - CONNECTOR 48V - 180°**

**SPM - CONNECTOR 48V - 180°**  
420 99 01



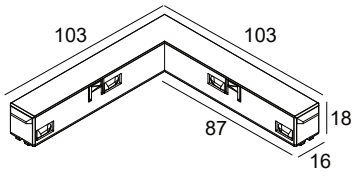
48V-DC  
MAX. 200W  
MAX. 50M

**CAUTION** TO REDUCE THE RISK OF OVERHEATING AND FIRE, DO NOT BRIDGE CONDUCTORS





**SPM - CONNECTOR 48V - 90°**



SPM - CONNECTOR 48V-90°  
23300 9920

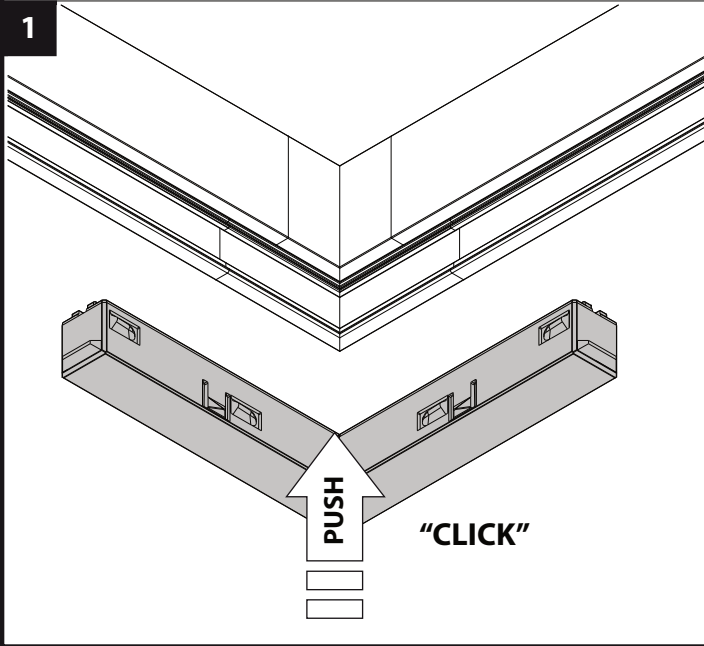
48V-DC  
MAX. 200W  
MAX. 50M



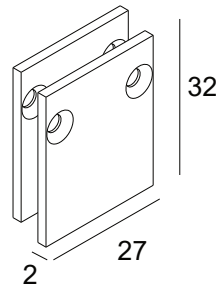
**CAUTION**

TO REDUCE THE RISK OF  
OVERHEATING AND FIRE,  
DO NOT BRIDGE CONDUCTORS

1



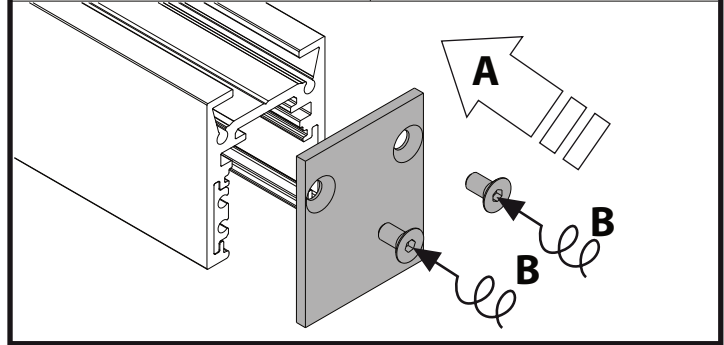
**SLM26 - END CAP**



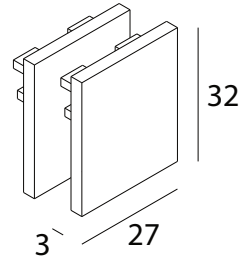
SLM26 L - END CAP  
23358 0300

SET OF 2 PCS

TO BE INSTALLED  
BEFORE INSTALLING  
THE PROFILE



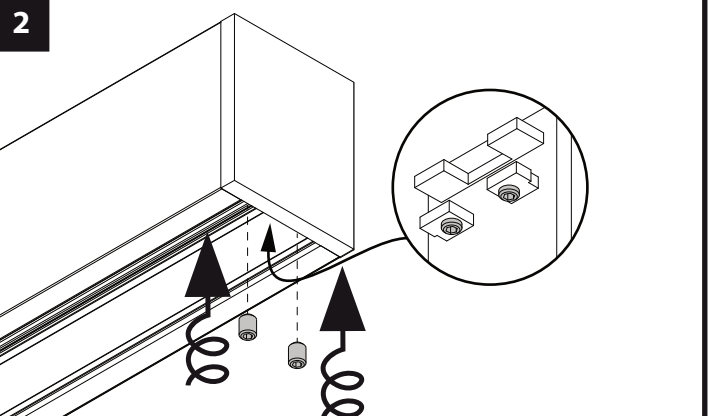
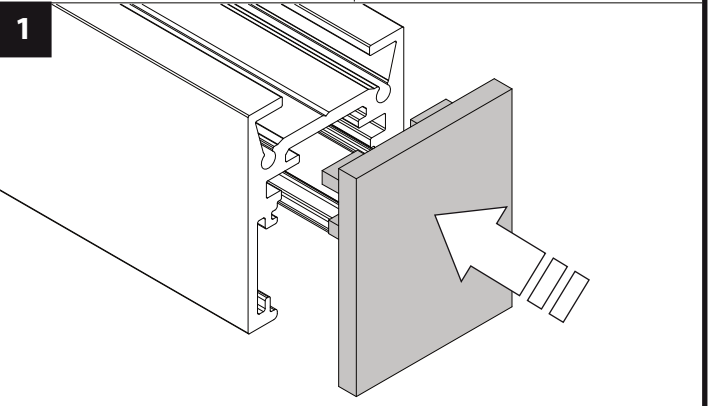
**SLM26 - END CAP**



SLM26 L - END CAP SET  
23358 0320

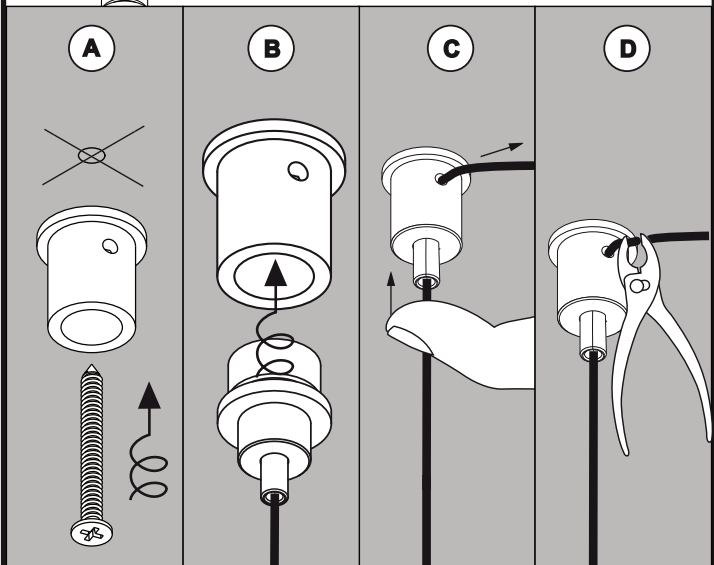
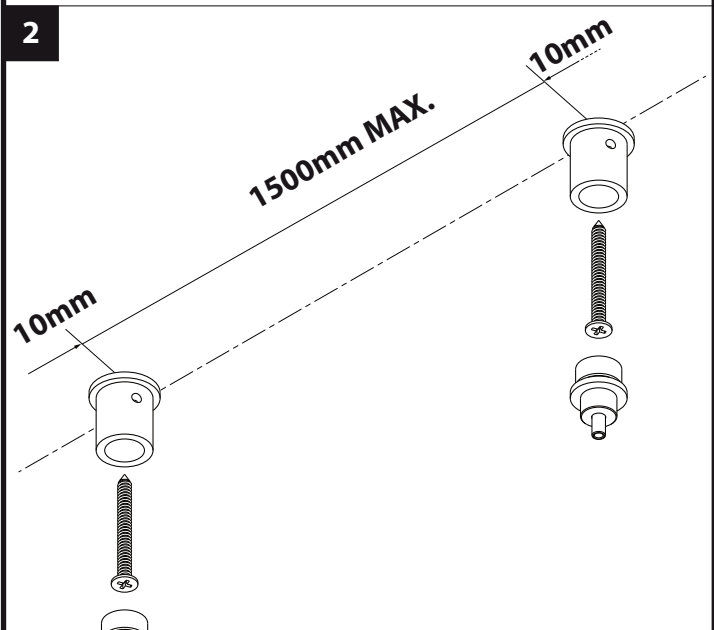
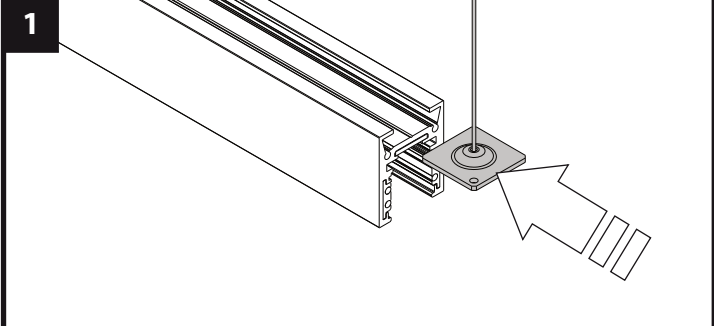
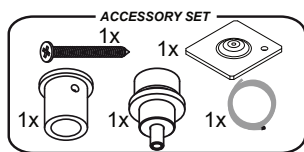
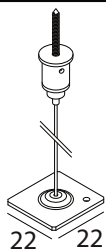
SET OF 2 PCS

TO BE INSTALLED  
BEFORE INSTALLING  
THE PROFILE



**SUSPENSION SINGLE 1,6m**

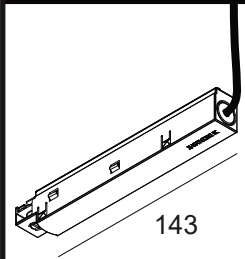
SLM - Cable Suspension  
single 1,6m  
23359 0510



**CURRENT SUPPLY SET L 1,6M TRANSPARENT**

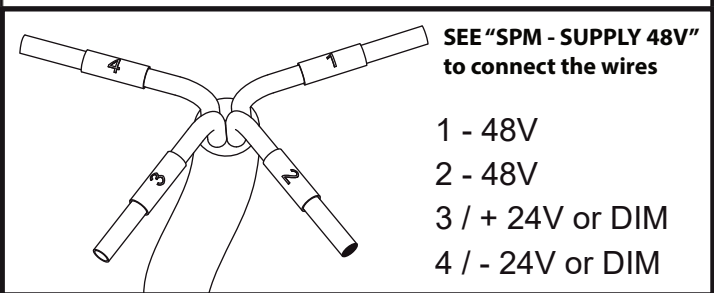
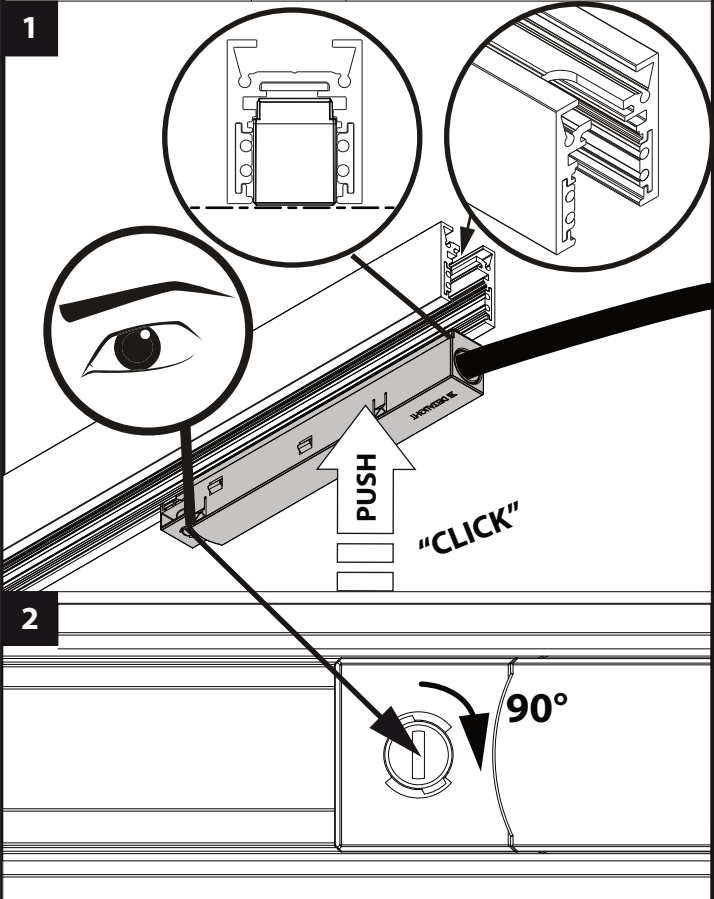
NO DIM  
AND NO  
UPLIGHT

SLM - CURRENT SUPPLY SET  
2 x 0,75mm<sup>2</sup> 1,6m MDL  
23359 2120

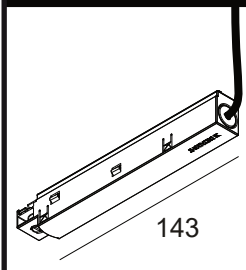


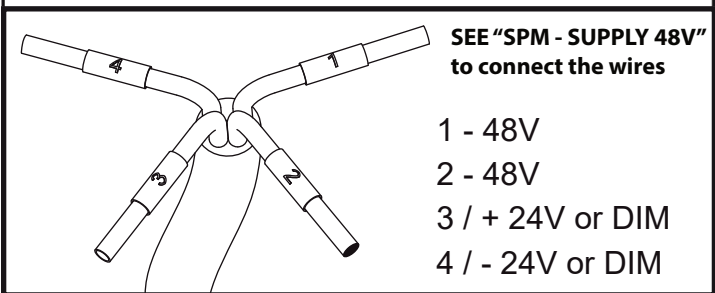
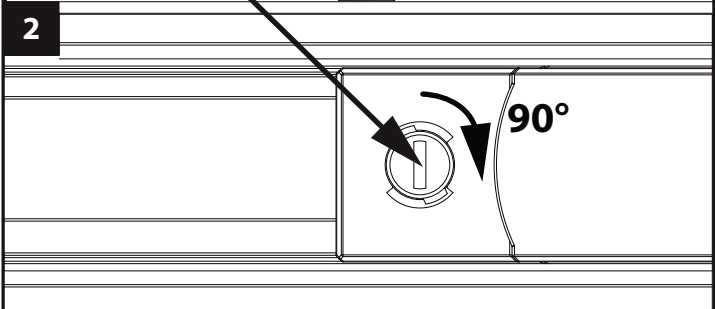
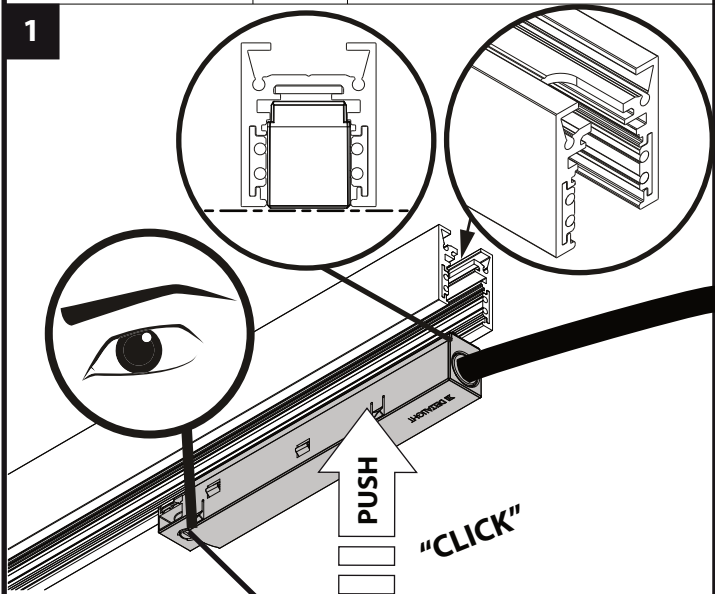
DIM5

SLM - CURRENT SUPPLY SET  
4 x 0,75mm<sup>2</sup> 1,6m DIM5  
23359 2140

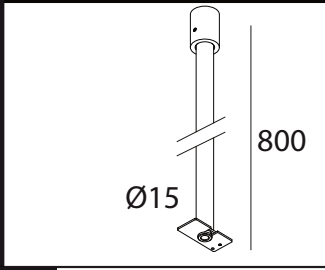
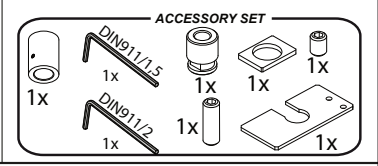


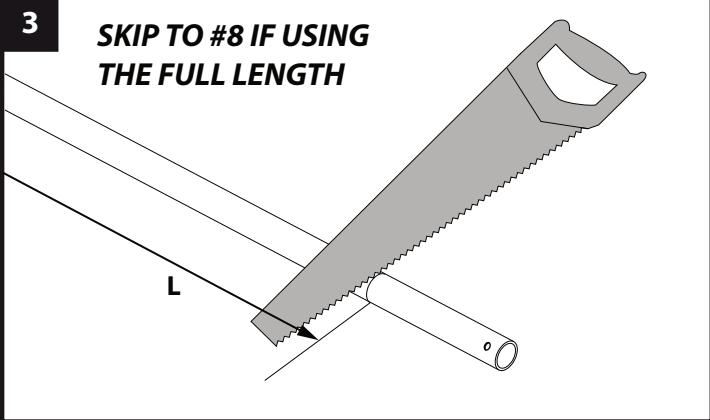
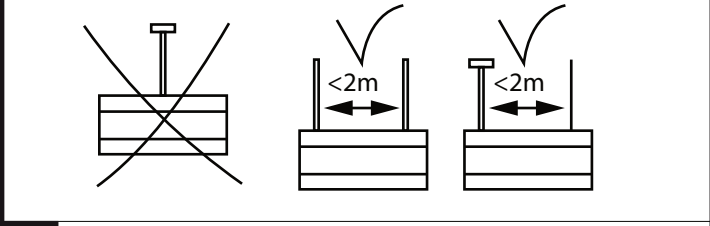
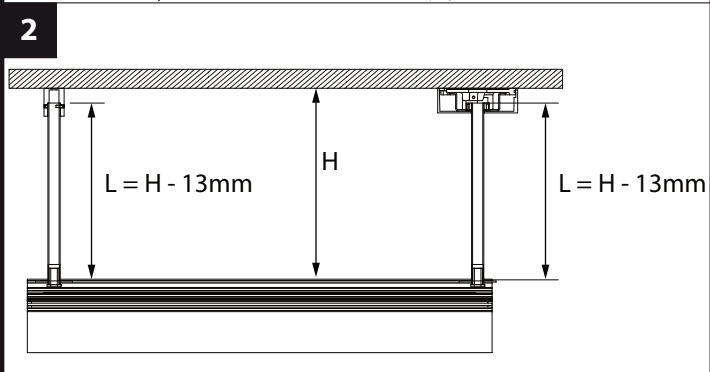
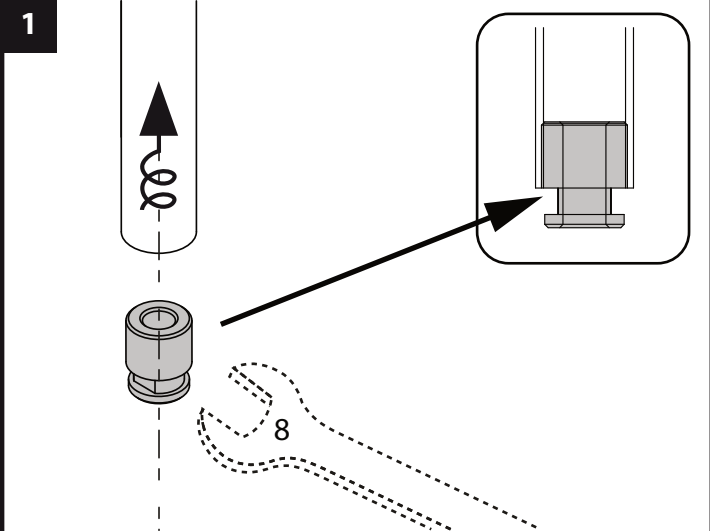
**CURRENT SUPPLY SET L 1,6M BLACK**

	NO DIM AND NO UPLIGHT	SLM - CURRENT SUPPLY SET 2 x 0,75mm <sup>2</sup> 1,6m MDL 23359 2220
	DIM5	SLM - CURRENT SUPPLY SET 4 x 0,75mm <sup>2</sup> 1,6m DIM5 23359 2240

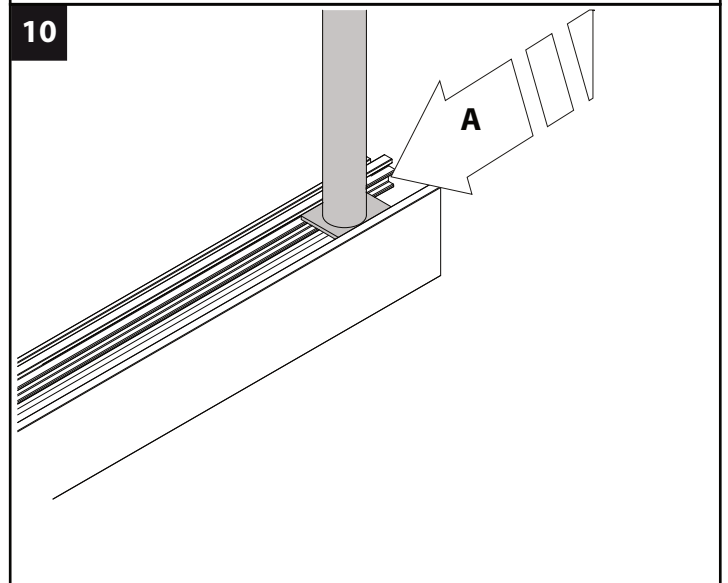
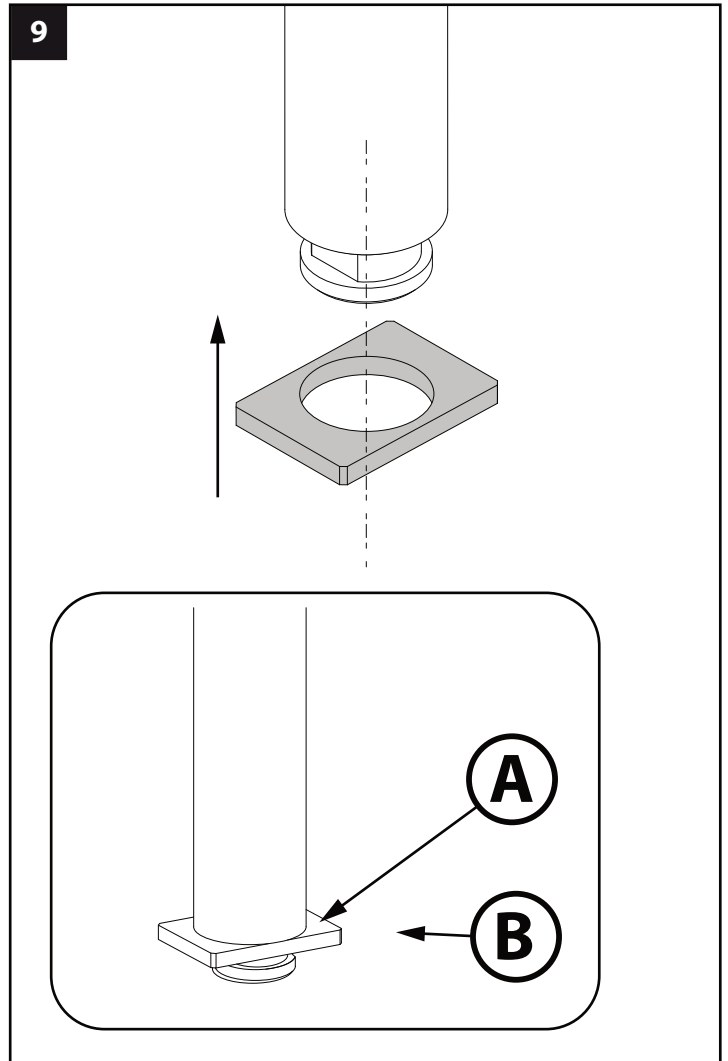
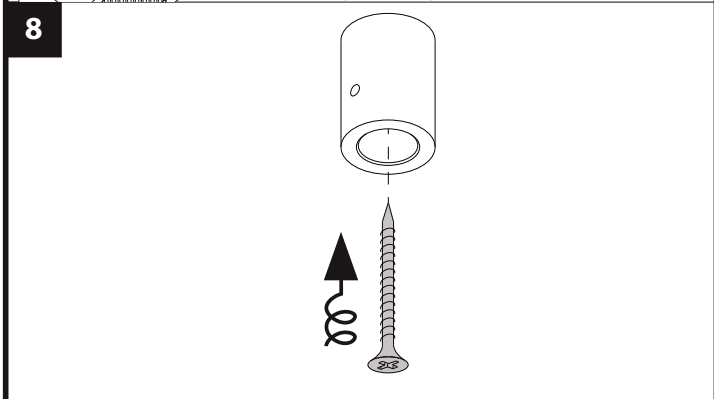
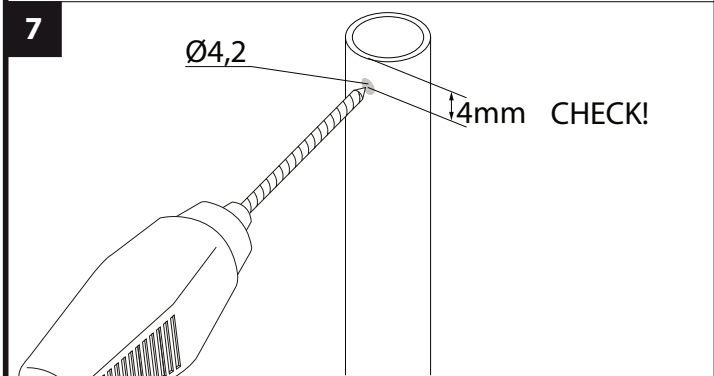
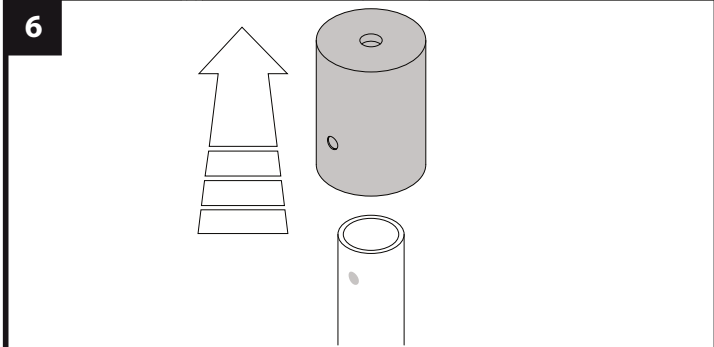
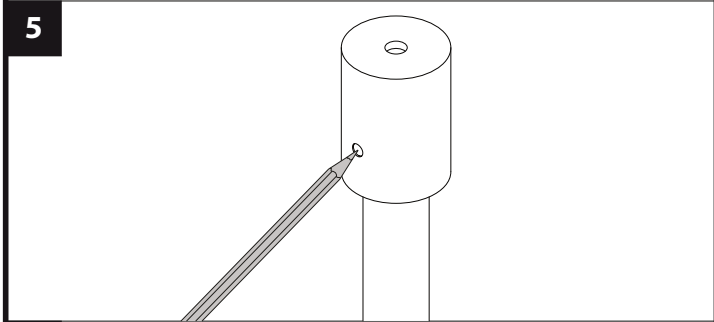
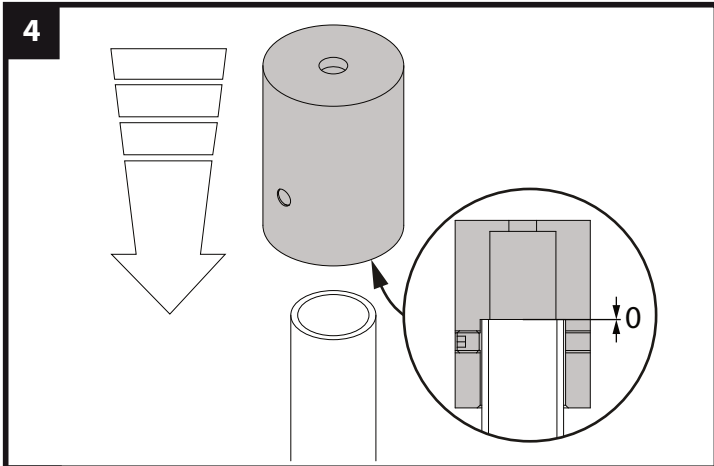


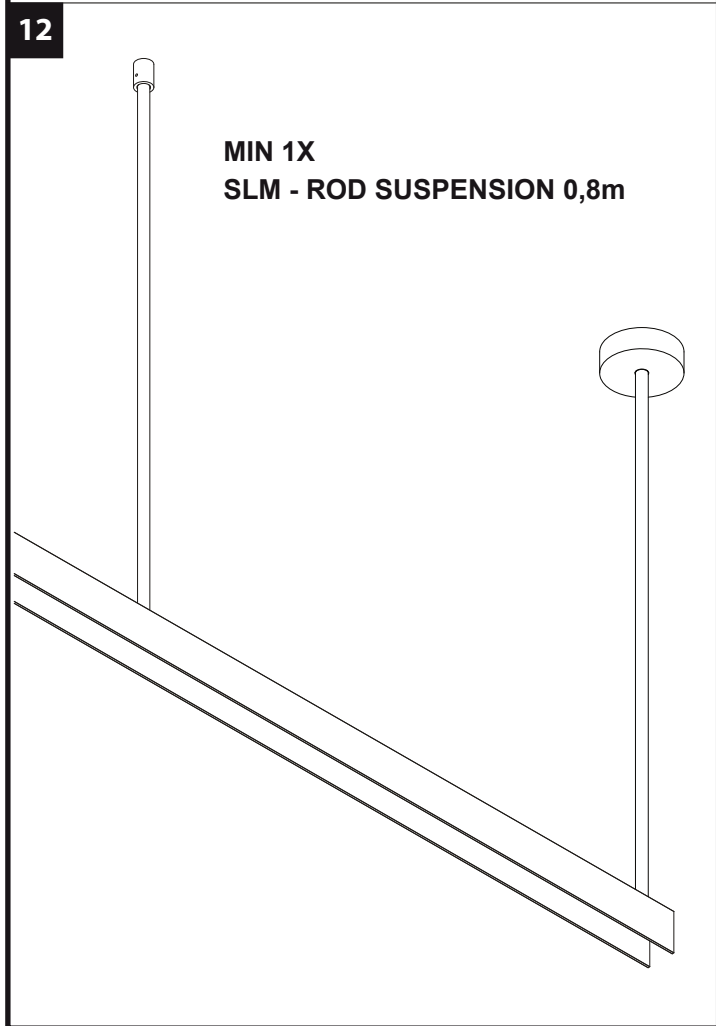
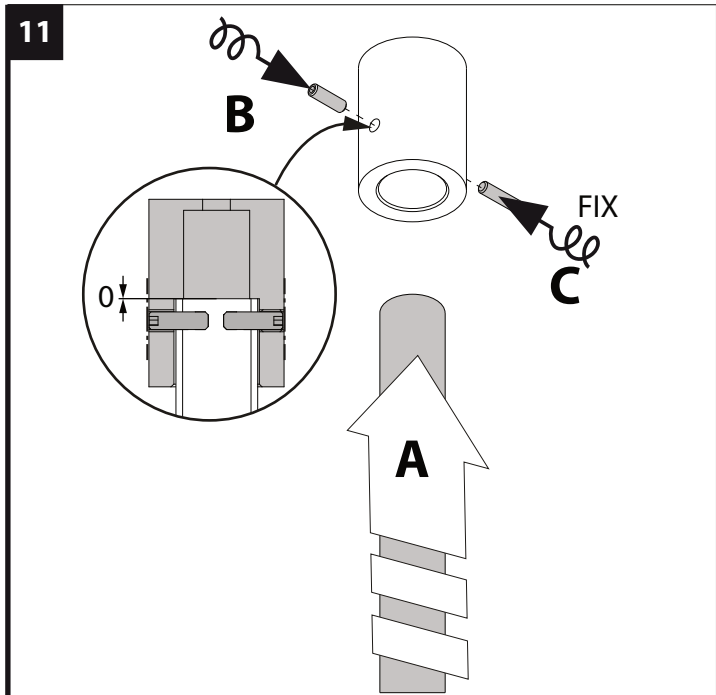
**SLM - ROD SUSPENSION 0,8m**

	SLM - ROD SUSPENSION 0,8m 23358 1520
	<p>ACCESSORY SET</p> 









**SLM - ROD SUSPENSION 0,8m + CONNECTION**

Ø98 | 30

800

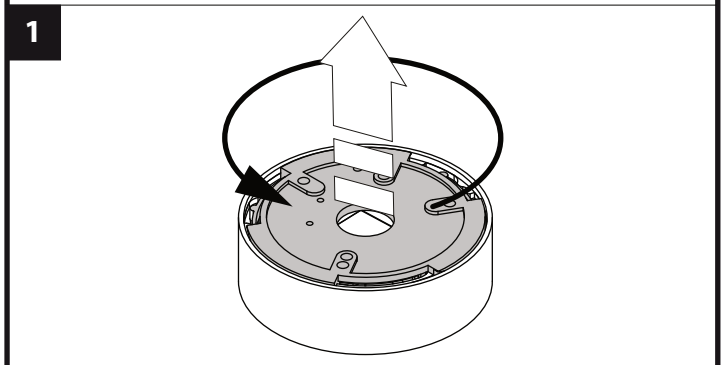
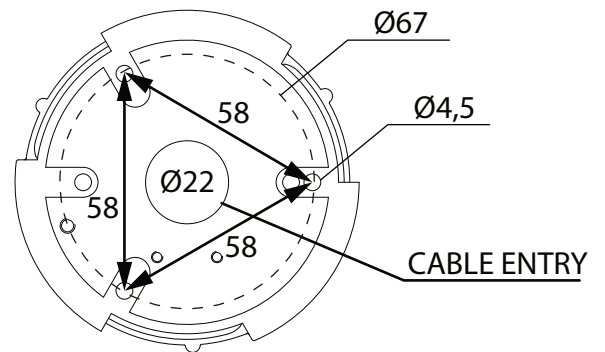
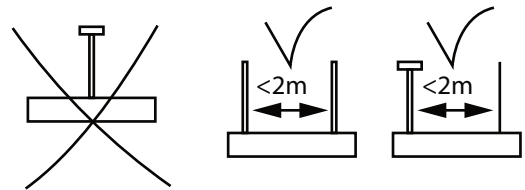
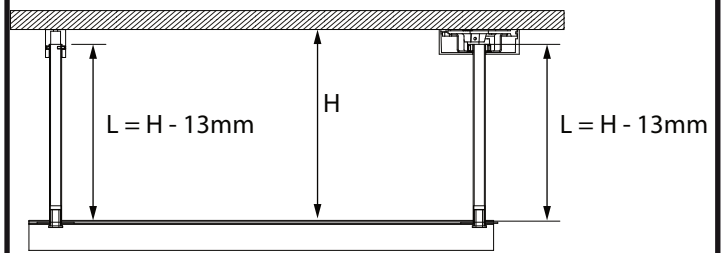
Ø15

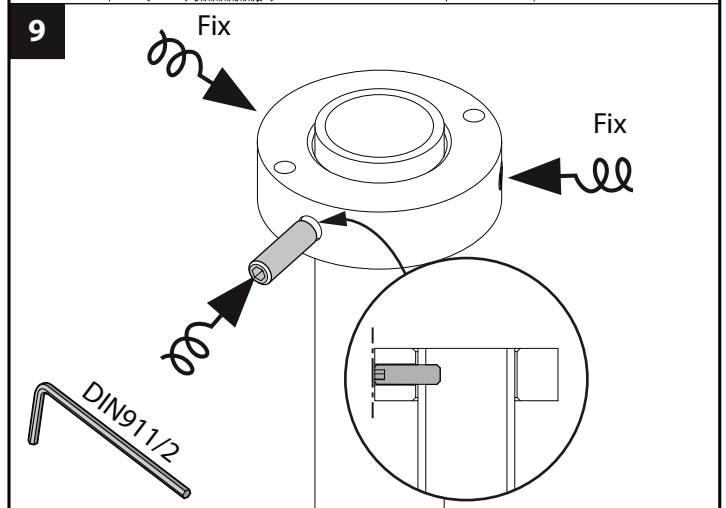
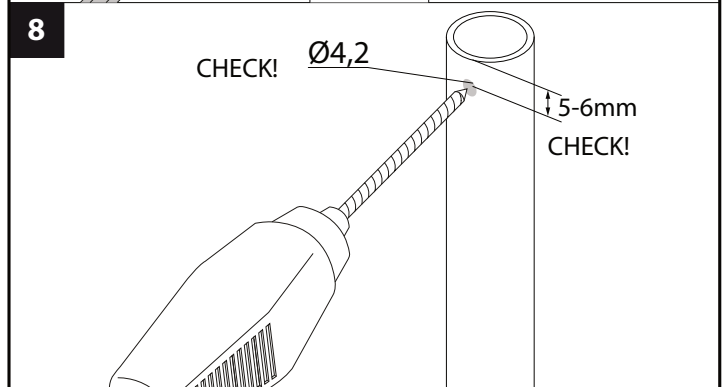
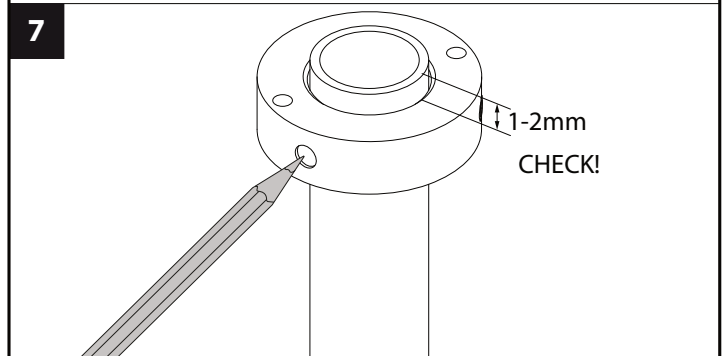
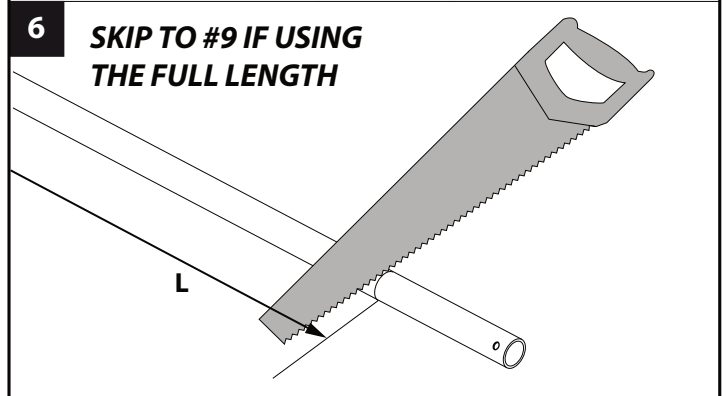
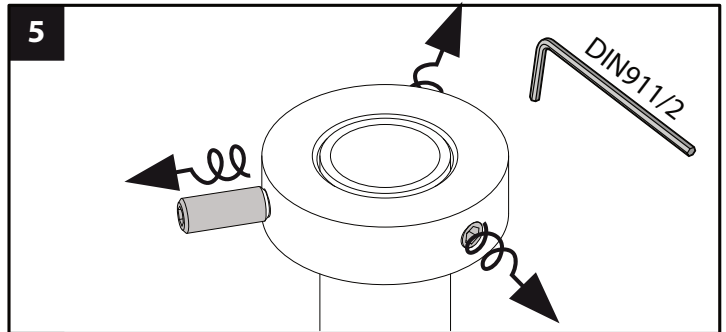
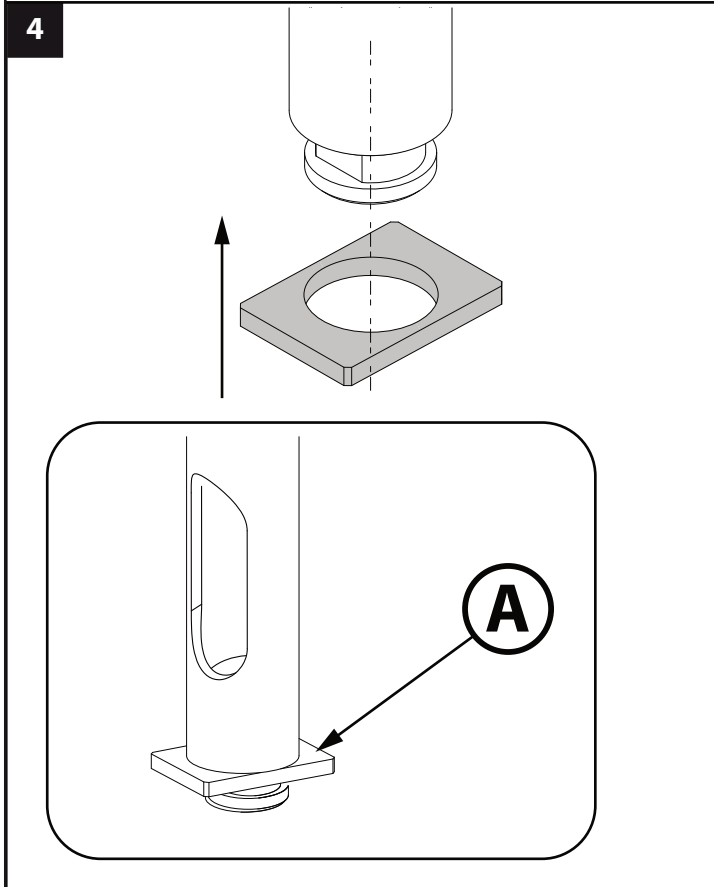
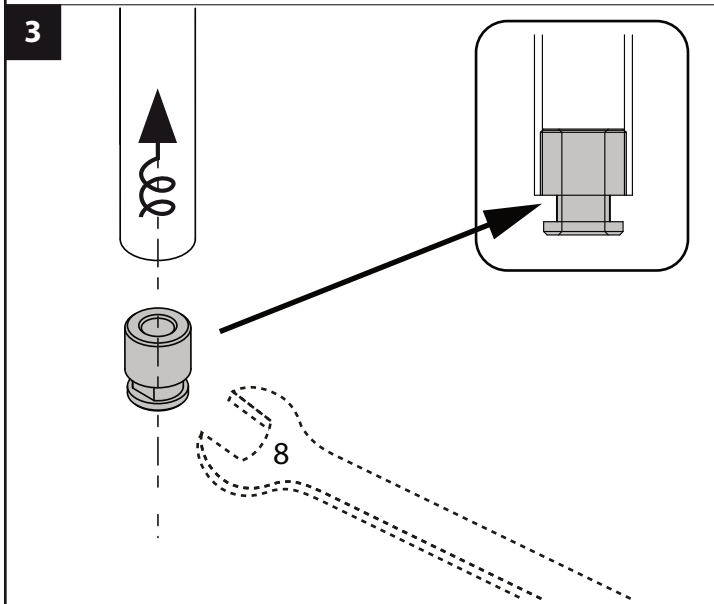
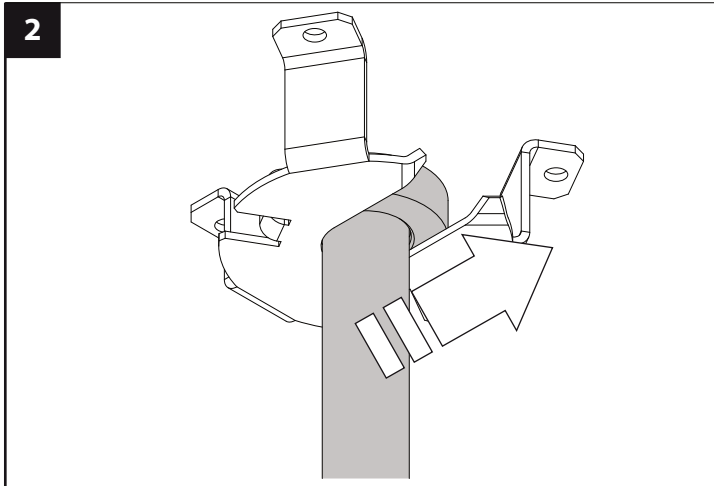
**SLM - ROD SUSPENSION 0,8m + Connection**  
23358 1510

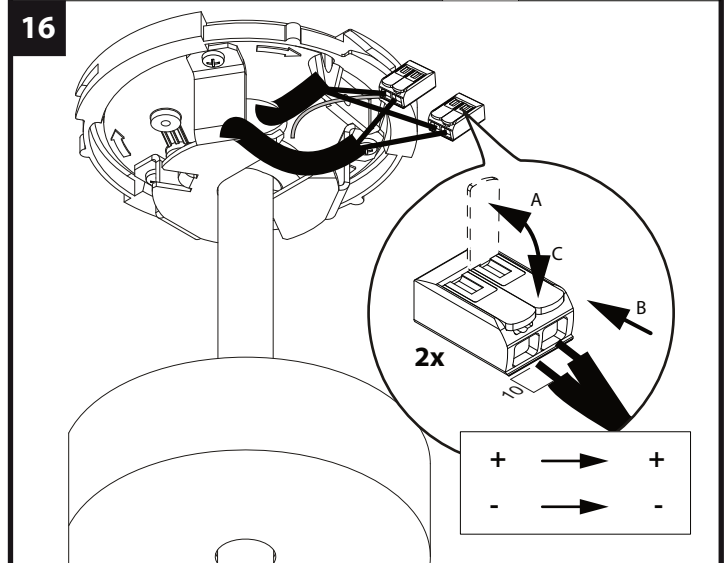
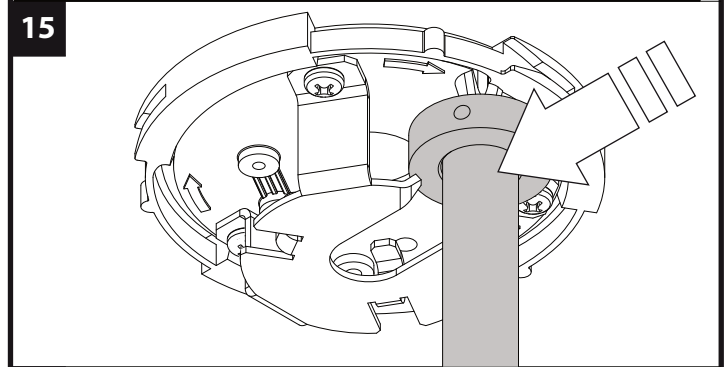
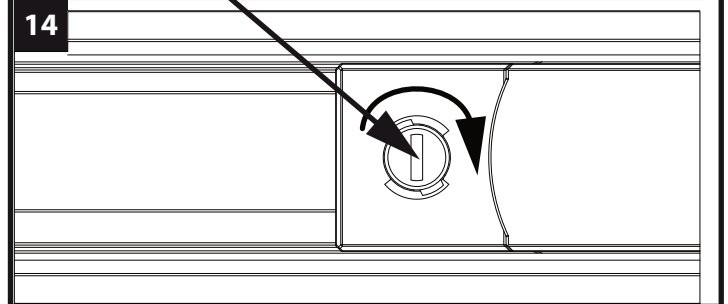
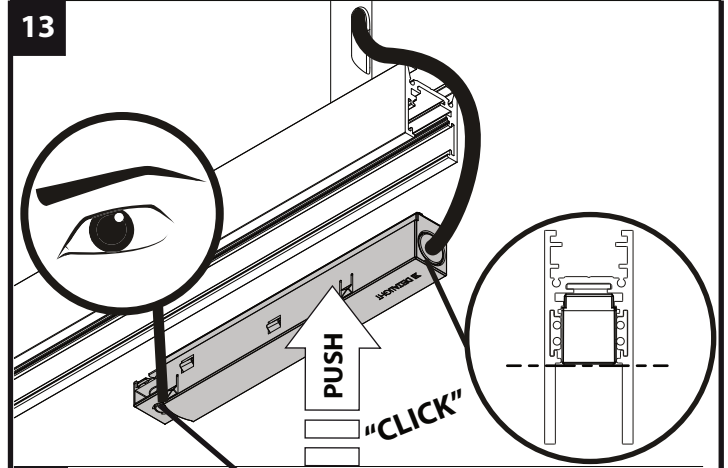
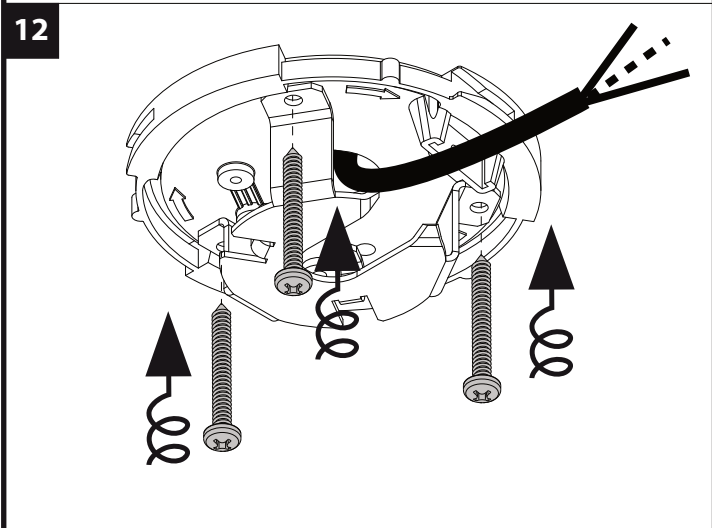
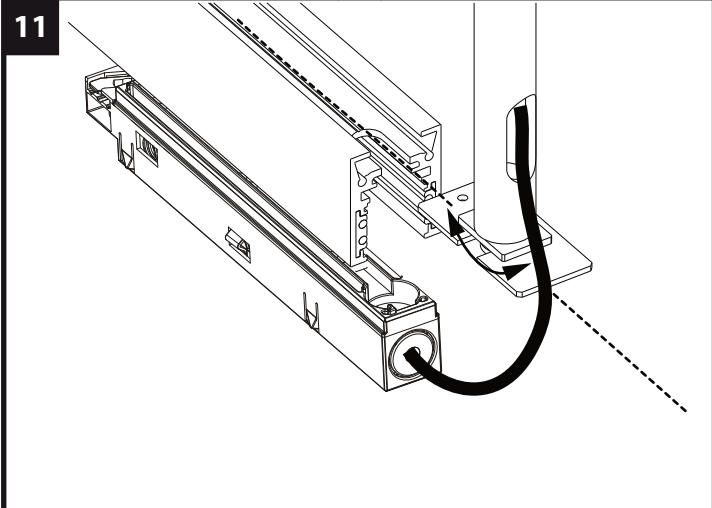
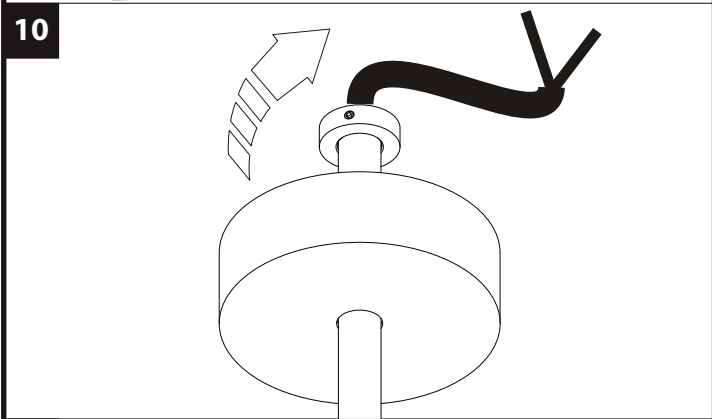
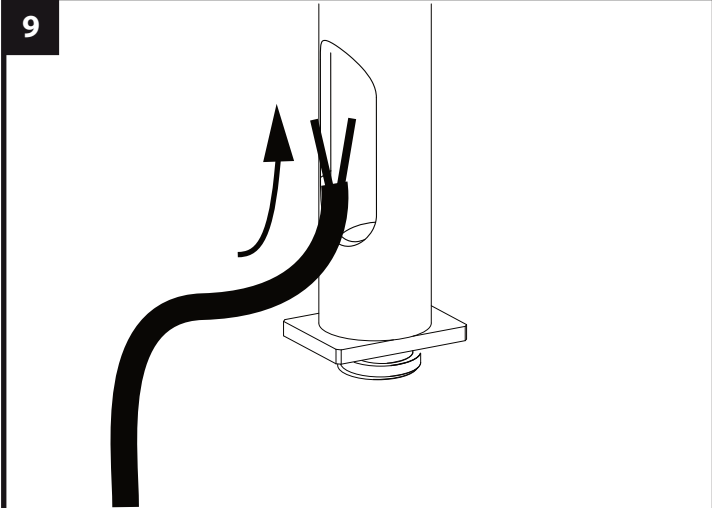
ACCESSORY SET

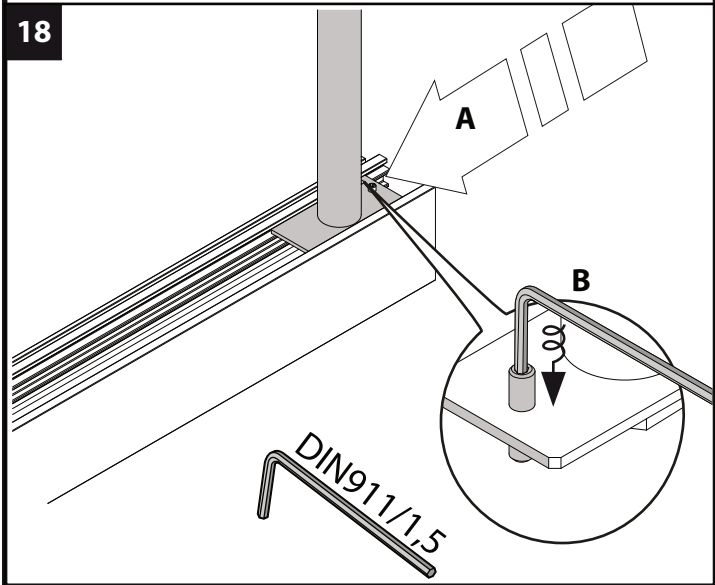
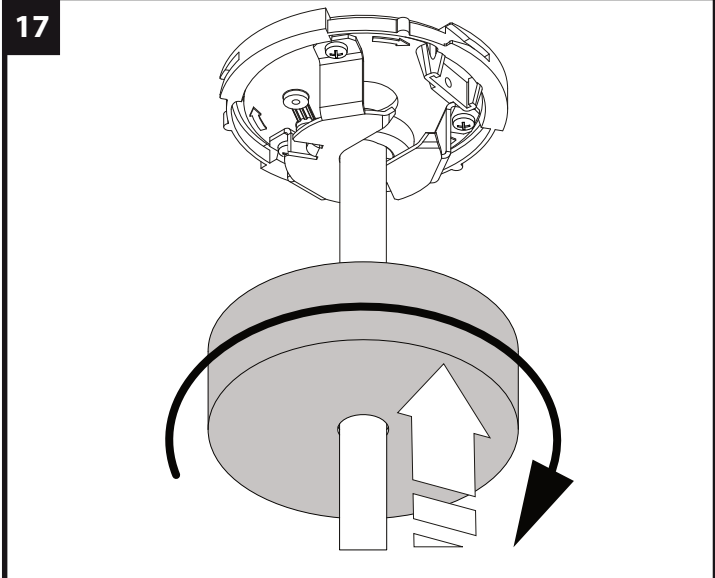
- DIN911/2 1x
- 4x
- DIN911/1,5 1x
- 1x
- 1x
- 1x
- 1x

**REQUIRED:**  
**CURRENT SUPPLY SET**

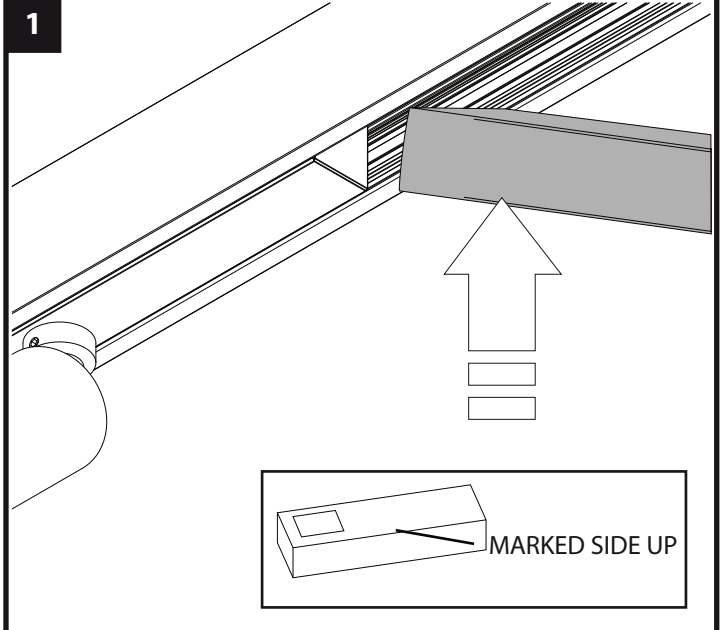
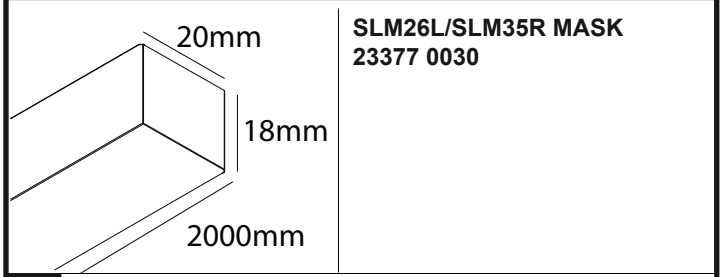








**COVER PROFILE**



**2 PUSH AGAINST LUMINAIRE**

