

## UEK 30 HG (774 330)

- Earthing and short-circuiting devices can be configured online via the earthing and short-circuiting configurator



Figure without obligation

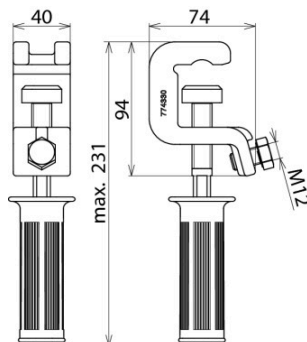


Figure without obligation

\*) Clamping range and maximum cable cross-section of universal clamps used for:

| Fixed ball point Ø | Phase T pin collar width | Rd / FI clamping range | Cable cross-section |
|--------------------|--------------------------|------------------------|---------------------|
| 20/25/30 mm        | 15/18 mm                 | 20/30 mm               | 16 mm <sup>2</sup>  |
| 20/25/30 mm        | 15/18 mm                 | 20/30 mm               | 25 mm <sup>2</sup>  |
| 20/25/30 mm        | 15/18 mm                 | 20/30 mm               | 35 mm <sup>2</sup>  |
| 20/25/30 mm        | 15/18 mm                 | 20/30 mm               | 50 mm <sup>2</sup>  |
| 20/25/30 mm        | 15/18 mm                 | 20/30 mm               | 70 mm <sup>2</sup>  |
| 20/25/30 mm        | 15/18 mm                 | -                      | 95 mm <sup>2</sup>  |
| -/25/30 mm         | -                        | -                      | 120 mm <sup>2</sup> |
| -                  | -                        | -                      | 150 mm <sup>2</sup> |

| Type  | UEK 30 HG                                |
|---|--|
| Part No.  | 774 330                                  |
| For fixed ball point Ø                          | 25 / 30 mm                               |
| For T pins with a collar width of               | 18 mm                                    |
| Rd / FI clamping range                          | 30 mm                                    |
| Anti-rotation cable lug                         | PK1                                      |
| For cable cross-section Cu                      | 16 ... 120 <sup>1)</sup> mm <sup>2</sup> |
| Max. short-circuit current I <sub>k</sub> 0.5 s | 33.5 kA                                  |
| Max. short-circuit current I <sub>k</sub> 1 s   | 23.7 kA                                  |
| Standard  | EN/IEC 61230 (DIN VDE 0683-100)          |
| Temperature range                               | -25 °C ... +55 °C                        |
| Material (clamp body)                           | Copper alloy/gal Sn                      |
| Material (shaft)                                | Copper alloy/gal Sn                      |
| Material (pressure plate)                       | St/gal Zn                                |
| Weight  | 941 g                                    |
| Customs tariff number (Comb. Nomenclature EU)   | 85389099                                 |
| GTIN  | 4013364057715                            |
| PU  | 1 pc(s)                                  |

<sup>1)</sup> See table for „Clamping range and maximum cable cross-section of universal clamps used for“

We reserve the right to introduce changes in performance, configuration and technology, dimensions, weights and materials in the course of technical progress. The figures are shown without obligation.

The clamps must have the same maximum short-circuit current as the earthing and short-circuiting cables!