

KKH 25 SQ (772 321)

- Earthing and short-circuiting devices can be configured online via the earthing and short-circuiting configurator



Figure without obligation

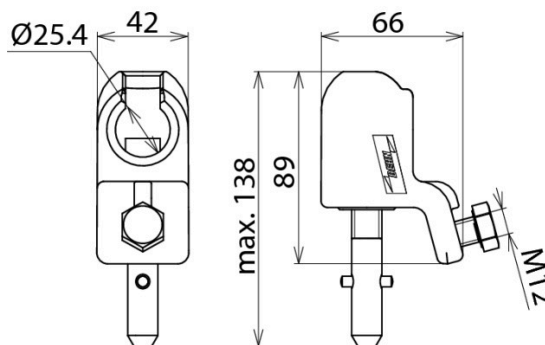


Figure without obligation

| Type | KKH 25 SQ |
|---|---|
| Part No. | 772 321 |
| For fixed ball point Ø | 25 mm |
| Anti-rotation element | PK1 |
| For cable cross-section Cu | 16 ... 150 mm ² |
| Max. short-circuit current I _k 0.5 s | 42.0 kA |
| Max. short-circuit current I _k 1 s | 29.6 kA |
| Standard | EN/IEC 61230 (DIN VDE 0683-100), threaded T pin shaft DIN 48087 |
| Temperature range | -25 °C ... +55 °C |
| Material (clamp body) | Copper alloy/gal Sn |
| Material (shaft) | Copper alloy/gal Sn |
| Material (pressure plate) | Copper alloy/gal Sn |
| Weight | 756 g |
| Customs tariff number (Comb. Nomenclature EU) | 85389099 |
| GTIN | 4013364057449 |
| PU | 1 pc(s) |

We reserve the right to introduce changes in performance, configuration and technology, dimensions, weights and materials in the course of technical progress. The figures are shown without obligation.

The clamps must have the same maximum short-circuit current as the earthing and short-circuiting cables!